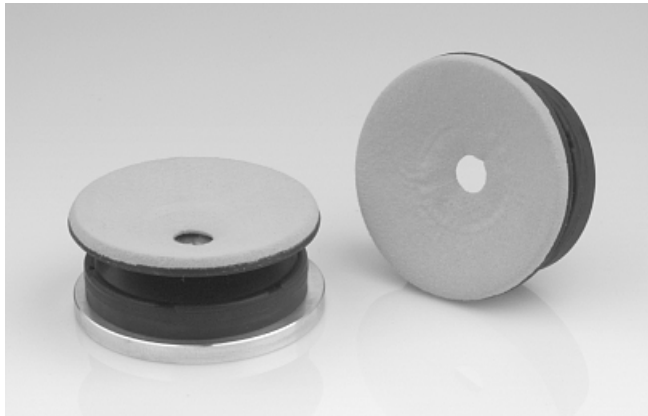


Suction pads for high-temperature applications



Suction plates SPL-HT FPM-F

Vacuum suction pads
2



High-temperature suction pads SPL-HT FPM-F

Our highlights...

- Special materials fluoro-caoutchuc FPM-F with felt coating
- Suction pad screwed to mounting
- Large-area metal mounting for the suction pad

Your advantages...

- > Resistance to very high temperatures (up to 400 °C for short periods) and little marking of the workpieces, particularly suitable for use in the glass industry
- > Suction pad can be replaced separately when worn
- > Good heat dissipation, shorter cooling times

Applications

- Handling of very hot workpieces
- Gripping of hot CRTs for removal from molds
- Handling of hot glass
- Gripping of hot metal parts

Construction

- Robust and hard-wearing suction pad SPL-HT FPM-F with single sealing lip, consisting of suction pad SPL and large-area metal mounting
- Suction pad screwed to mounting
- Suction pads are delivered unassembled



Suitability for branch-specific applications

Designation code Suction plates SPL-HT FPM-F

Short designation	Diameter in mm	Material and shore hardness	Connection thread
Example: SPL-HT	90	FPM-F-65	G1/4-AG
SPL-HT	90 190	FPM-F-65	G1/4-AG G1/2-AG

Ordering data Suction plates SPL-HT FPM-F

Type*	Article No.
SPL-HT 90 FPM-F-65 G1/4-AG	10.01.01.00551
SPL-HT 190 FPM-F-65 G1/2-AG	10.01.01.00832

*See Section 2, "Basic Principles of Suction-Pad Materials" for further details of materials

Ordering data spare parts suction pads

Type	Suction plate
SPL-HT 90 FPM-F-65	10.01.01.00553
SPL-HT 190 FPM-F-65	10.01.01.00834

Suction pads for high-temperature applications



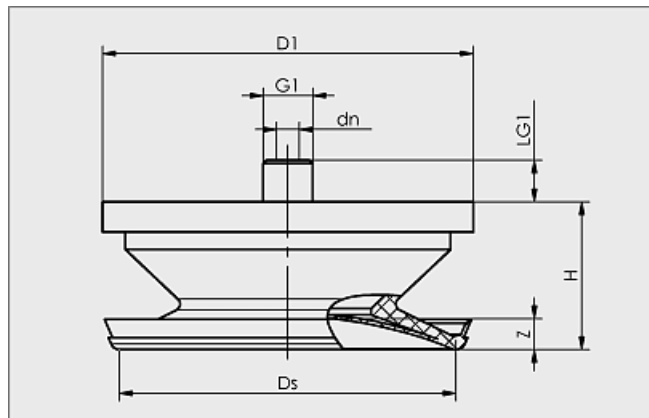
Suction plates SPL-HT FPM-F

Technical data Suction plates SPL-HT FPM-F

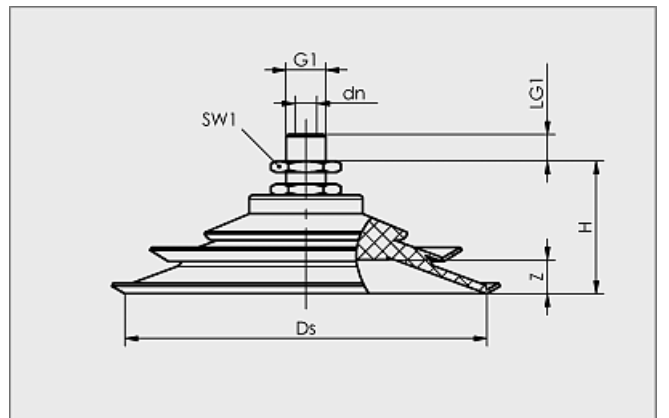
Type	Suction force [N]*	Volume [cm ³]	Min. curve radius [mm] (convex)	Weight [g]
SPL-HT 90 FPM-F-65 G1/4-AG	230	66,5	250	225
SPL-HT 190 FPM-F-65 G1/2-AG	1050	165,0	350	1420

*The specified suction forces are theoretical values at a vacuum of -0.6 bar and with a smooth, dry workpiece surface - they do not include a safety factor

Design data Suction plates SPL-HT FPM-F



SPL-HT 90 FPM-F



SPL-HT 190 FPM-F

Type	Dimensions in mm*							
	dn	D1	Ds	G1	H	LG1	SW1	Z
SPL-HT 90 FPM-F-65 G1/4-AG	6	98	90	G1/4"-M	39	11	-	16,5
SPL-HT 190 FPM-F-65 G1/2-AG	10	-	190	G1/2"-M	66	18	32	8,0

*Acceptable dimensional tolerances for rubber parts concerning to M3 - DIN 7715

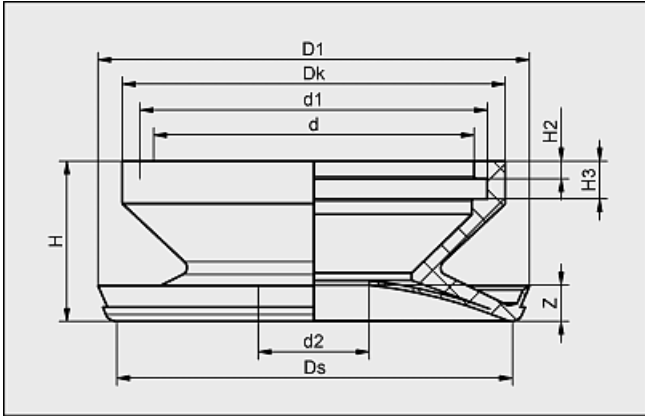
Suction pads for high-temperature applications



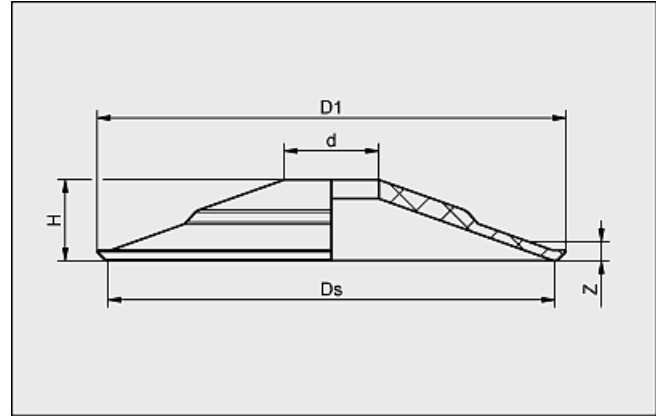
Suction plates SPL-HT FPM-F

Vacuum suction pads
2

Design data Suction plates SPL-HT FPM-F



SPL-HT 90 FPM-F



SPL-HT 190 FPM-F

Type*	Dimensions in mm*									
	d	d1	d2	D1	Dk	Ds	H	H2	H3	Z
SPL-HT 90 FPM-F-65	72	78	25	97	86	90	36	4	8,5	16,5
SPL-HT 190 FPM-F-65	25	-	-	205	-	190	17	-	-	8,0

*Acceptable dimensional tolerances for rubber parts concerning to M3 - DIN 7715