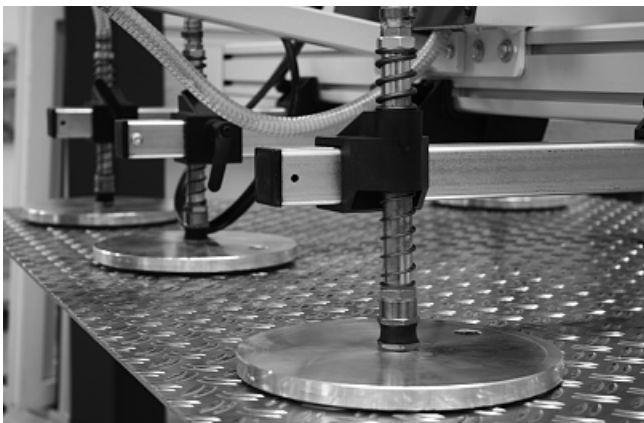


Flat suction pads (round)

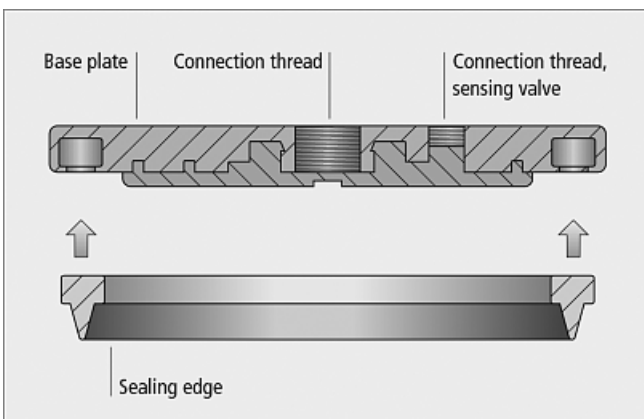
Suction plates SPK



Suction plates SPK



Suction plates SPK for the handling of checker plate



System design suction plate SPK

Our highlights...

- Sealing lip made of flexible chloroprene
- Sealing ring clipped securely into the mounting plate
- Support on the bottom
- Low intrinsic volume
- Wide range of different diameters

Your advantages...

- >Optimal adaptation to structured surfaces such as ornamental glass, checker plate, broken natural stone, etc.
- >Quick replacement of the sealing element without tools
- >No permanent deformation of thin-walled workpieces
- >Very short cycle times
- >Wide range of pads for handling different workpieces

Applications

- Handling of objects with very rough or structured surfaces (such as ornamental glass, checker plate, broken natural stone, etc.)
- Optionally available with sensing valve for deactivation of unused suction pads to prevent entry of air

Construction

- Robust and hard-wearing suction plate SPK, consisting of flexible MOS sealing ring made of EPDM and aluminium base plate
- Sealing ring without seams
- Sealing ring is securely clipped into the base plate
- When worn, the sealing ring can be replaced without the use of tools
- Lower side of base plate with elastomer insert to prevent damage to workpieces
- Threaded hole for sensing valve (off-centre) sealed with a plug in the factory
- Sensing valve can be ordered as an accessory and is easily mounted (use medium-strength locking compound)



Suitability for branch-specific applications

Flat suction pads (round)

Suction plates SPK



Vacuum suction pads
2

Designation code Suction plates SPK

Short designation	Diameter in mm	Material and shore hardness	Connection thread
Example: SPK	110	MOS-15	G1/2-IG
SPK	55 to 250	MOS-15	G1/4-IG (IG = female) G1/2-IG

Ordering data Suction plates SPK

Type	Article No.
SPK 55 MOS-15 G1/4-IG	10.01.01.12060
SPK 80 MOS-15 G1/4-IG	10.01.01.12061
SPK 110 MOS-15 G1/2-IG	10.01.01.12062
SPK 160 MOS-15 G1/2-IG	10.01.01.12063
SPK 200 MOS-15 G1/2-IG	10.01.01.12064
SPK 250 MOS-15 G1/2-IG	10.01.01.12065

Ordering data spare parts and accessories Suction plates SPK

Type	Sealing ring DR-SPK	Sensing valve
SPK 55 MOS-15 G1/4-IG	10.01.01.12072	-
SPK 80 MOS-15 G1/4-IG	10.01.01.12073	10.05.10.00061
SPK 110 MOS-15 G1/2-IG	10.01.01.12074	10.05.10.00061
SPK 160 MOS-15 G1/2-IG	10.01.01.12075	10.05.10.00061
SPK 200 MOS-15 G1/2-IG	10.01.01.12076	10.05.10.00038
SPK 250 MOS-15 G1/2-IG	10.01.01.12077	10.05.10.00038

Technical data Suction plates SPK

Type	Suction force [N]*	Volume [cm ³]	Min. curve radius [mm] (convex)	Recom. internal hose diameter d [mm]
SPK 55 MOS-15 G1/4-IG	121	15	250	9
SPK 80 MOS-15 G1/4-IG	256	32	300	9
SPK 110 MOS-15 G1/2-IG	471	67	-	12
SPK 160 MOS-15 G1/2-IG	1060	128	-	12
SPK 200 MOS-15 G1/2-IG	1700	198	-	12
SPK 250 MOS-15 G1/2-IG	2714	305	-	12

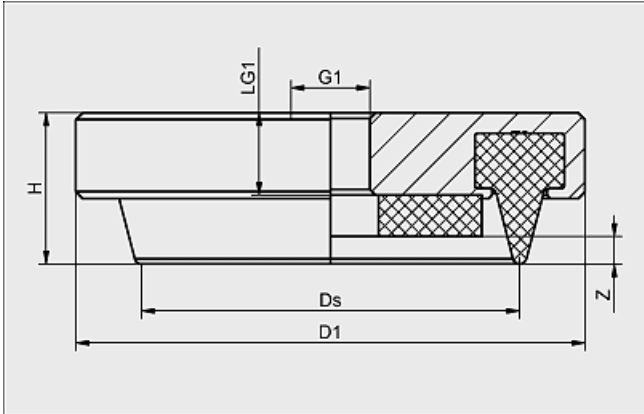
*The specified suction forces are theoretical values at a vacuum of -0.6 bar and with a smooth, dry workpiece surface - they do not include a safety factor

Flat suction pads (round)

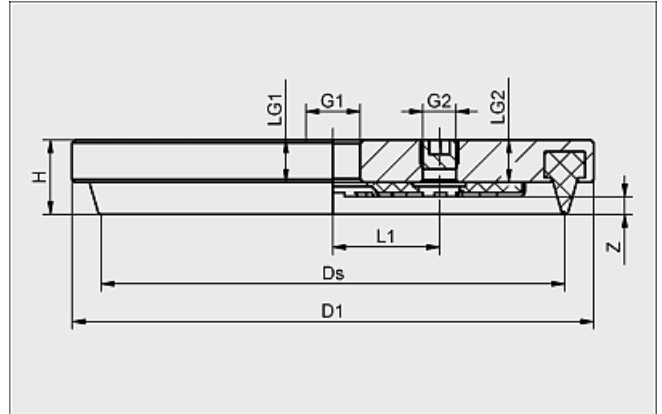
Suction plates SPK



Design data Suction plates SPK



SPK 55



SPK 80 to 250

Type	Dimensions in mm*								
	D1	Ds	G1	G2**	H	L1	LG1	LG2	Z
SPK 55 MOS-15 G1/4-IG	74	55	G1/4"-F	-	22,0	-	11,5	-	4
SPK 80 MOS-15 G1/4-IG	99	80	G1/4"-F	G1/4"-F	22,0	22,0	11,5	11,5	4
SPK 110 MOS-15 G1/2-IG	130	110	G1/2"-F	G1/4"-F	25,5	36,5	14,5	14,5	6
SPK 160 MOS-15 G1/2-IG	179	159	G1/2"-F	G1/4"-F	25,5	36,5	14,5	14,5	6
SPK 200 MOS-15 G1/2-IG	219	199	G1/2"-F	G1/2"-F	25,5	76,0	14,5	14,5	6
SPK 250 MOS-15 G1/2-IG	269	249	G1/2"-F	G1/2"-F	25,5	76,0	14,5	14,5	6

*Acceptable dimensional tolerances for rubber sealings concerning to DIN 3302 - M4

**A plug is fitted in this connection in the factory