

# Suction pads for packaging

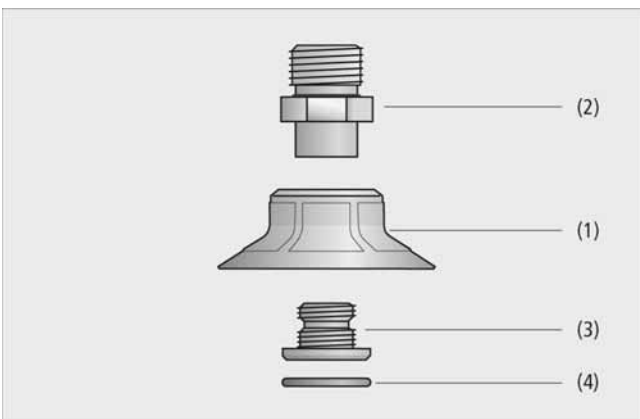
## Flat suction pads SPF



Flat suction pads SPF



Flat suction pads SPF for handling of cardboard



System design Flat suction pads SPF

### Our highlights...

- Flexible, adaptable sealing lip
- Suction pad features robust, reinforced main body
- Support ribs on the suction surface
- Made from wear-proof and abrasion-proof material ELASTODUR ED-65
- Optional pre-filter (250 µm filtration grade)
- Modular suction pad structure with connection system Schmalz Connector

### Your advantages...

- >Excellent sealing performance when used on cardboard and rigid packaging
- >High intrinsic stability of the suction pad in dynamic processes
- >Maximum effective suction diameter for high suction force
- >Very low wear for a long service life, approx. 3x the service life of NBR
- >Vacuum system protection directly at the suction pad
- >Suction pads can be configured for different applications quickly and easily

### Applications

- In cardboard box and tray erectors
- Handling cardboard and rigid packaging in top-loading and side-loading machines
- Palletising and depalletising processes
- Heavy-duty applications that require suction pads with excellent sealing and low wear

### Construction

- Round flat suction pad SPF with soft, flexible sealing lip and support ribs on the suction surface
- Suction pad features robust, reinforced main body
- Made from wear-proof material ELASTODUR ED-65 with a long service life
- Clip-in filter screen (4) as pre-filter
- Models with diameter up to 30 mm feature plug-in connection element for quick change of suction pad (1)
- Models with diameter 40 mm or above feature a two-piece connection element for quick change of suction pad (1). Consisting of mounting top part (2) and lower part (3)
- All connection elements with male thread are equipped with integrated sealing

# Suction pads for packaging

## Flat suction pads SPF



Suitability for branch-specific applications

### Order procedure Flat suction pads SPF

Step 1: Choose suction pad		Step 2: Choose connection element	Step 3: Choose additional function
Type	Material and shore hardness	Thread	Additional functions
SPF...Flat suction pad round	Elastodur ED-65	G1/8-F...G1/8 female thread G1/8-M...G1/8 male thread G1/4-F...G1/4 female thread G1/4-M...G1/4 male thread	Filter screen...pre-filter that clips into the suction pad

### Step 1: Ordering data Flat suction pads SPF

Type	Article No.
SPF-20 ED-65	10.01.01.12370
SPF-25 ED-65	10.01.01.12371
SPF-30 ED-65	10.01.01.12372
SPF-40 ED-65	10.01.01.12373
SPF-50 ED-65	10.01.01.12374

### Step 2: Ordering data Connection elements Flat suction pads SPF

Type	Connection			
	G1/8"-M	G1/8"-F	G1/4"-M	G1/4"-F
SPF-20 ED-65	10.01.06.02490	10.01.06.02482	-	-
SPF-25 ED-65	10.01.06.02490	10.01.06.02482	-	-
SPF-30 ED-65	10.01.06.02490	10.01.06.02482	-	-
SPF-40 ED-65	-	-	10.01.06.02487	10.01.06.02488
SPF-50 ED-65	-	-	10.01.06.02487	10.01.06.02488

### Step 3: Ordering data accessories Flat suction pads SPF

Type	Sieve
SPF-20 ED-65	10.07.01.00309
SPF-25 ED-65	10.07.01.00309
SPF-30 ED-65	10.07.01.00309
SPF-40 ED-65	10.07.01.00308
SPF-50 ED-65	10.07.01.00308

### Technical data Flat suction pads SPF

Type	Suction force [N]*	Pull-off force [N]	Lateral force [N]	Volume [cm³]	Min. curve radius [mm] (convex)	Recom. internal hose diameter d [mm]	Type Connection element SC...
SPF-20 ED-65	16,0	19,2	10,5	1,0	25	4	040
SPF-25 ED-65	22,7	27,1	17,0	1,5	40	4	040
SPF-30 ED-65	29,5	35,3	22,5	2,3	45	6	040
SPF-40 ED-65	49,5	62,5	25,0	5,1	75	6	050
SPF-50 ED-65	74,2	87,4	44,0	7,9	100	6	050

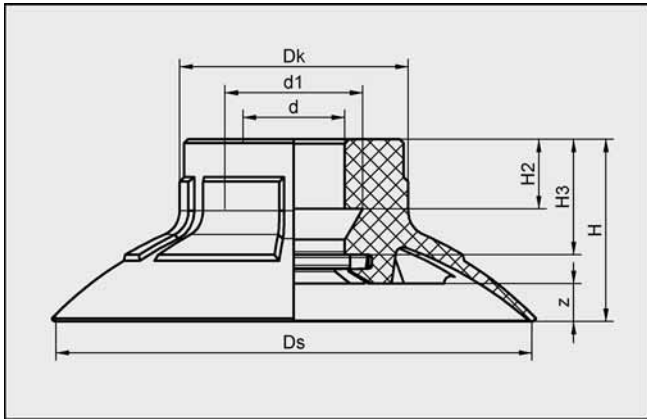
\*The specified suction forces are theoretical values at a vacuum of -0.6 bar and with a smooth, dry workpiece surface - they do not include a safety factor

# Suction pads for packaging

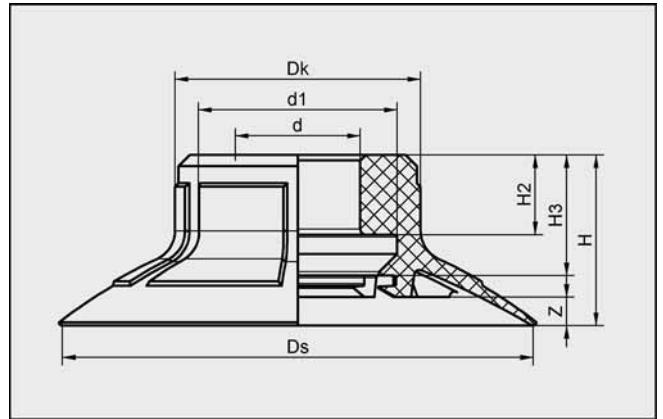
## Flat suction pads SPF



### Design data Flat suction pads SPF



SPF-20...30



SPF-40...50

Type	Dimensions in mm*							
	d	d1	Dk	Ds	H	H2	H3	Z
SPF-20 ED-65	6,7	9,1	15,1	21,4	11	4,6	7,6	2,0
SPF-25 ED-65	6,7	9,1	15,1	26,4	11	4,6	7,6	2,0
SPF-30 ED-65	6,7	9,1	15,1	31,4	12	4,6	7,6	2,5
SPF-40 ED-65	11,0	17,5	21,6	41,4	15	7,0	10,6	2,5
SPF-50 ED-65	11,0	17,5	21,6	51,4	16	7,0	10,6	3,5

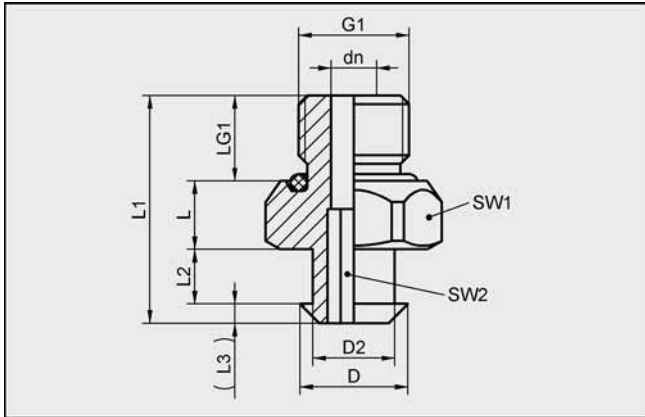
\*Acceptable dimensional tolerances for rubber parts concerning to M3 - DIN 7715

# Suction pads for packaging

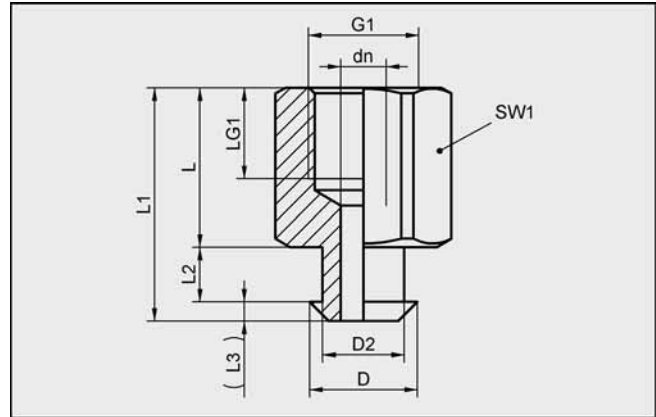
## Flat suction pads SPF



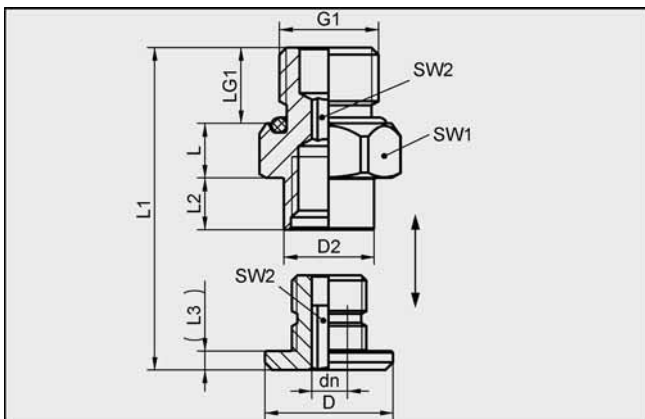
### Design data connection elements Flat suction pads SPF



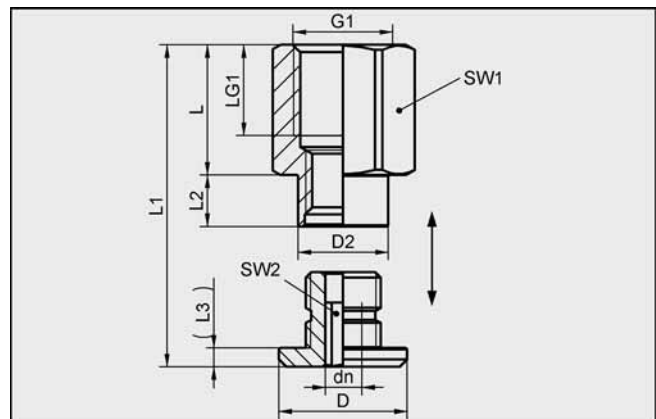
Connection element SC 040 G1/8-M for SPF 20...30



Connection element SC 040 G1/8-F for SPF 20...30



Connection element SC 050 G1/4-M for SPF-40...50



Connection element SC 050 G1/4-F for SPF-40...50

Type	Dimensions in mm										
	D	D2	dn	G1	L	L1	L2	L3	LG1	SW1	SW2
SC 040 G1/8-AG	10,3	8	4	G1/8"-M	6,0	20,0	4,8	1,7	7,5	14	4
SC 040 G1/8-IG	10,3	8	4	G1/8"-F	14,0	20,5	4,8	1,7	8,0	14	-
SC 050 G1/4-AG	17,0	12	5	G1/4"-M	7,2	26,5	6,8	2,5	10,0	17	5
SC 050 G1/4-IG	17,0	12	5	G1/4"-F	17,2	26,5	6,8	2,5	12,0	17	5