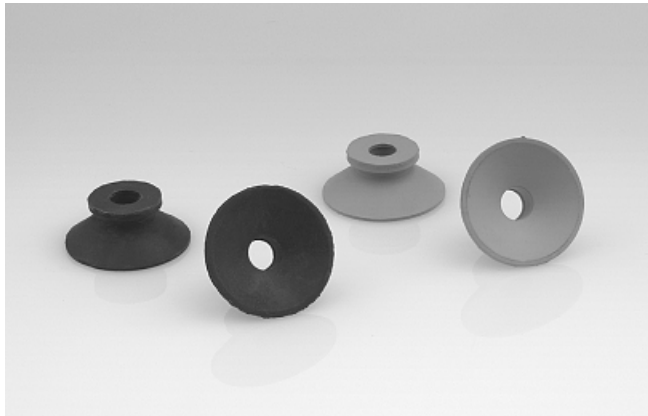


Suction pads for plastic films and paper



Flat suction pads SGS

Vacuum suction pads
2



Film and paper suction pads SGS NK

Our highlights...

- Flat, tapered sealing lip
- Special mounting moulded into neck of suction pad
- Very soft material (natural rubber NK), material hardness as low as 40° Shore A

Your advantages...

- > Specially designed for handling flat plastic films (for example, opening plastic bags)
- > Direct mounting possible (insertion into a perforated plate)
- > Plastic films can be gripped without wrinkling

Applications

- Handling of plastic films, paper, wood veneers, solar cells and similar thin, easily damaged workpieces

Construction

- Robust and hard-wearing suction pad SGS 27 NK with single sealing lip, without connection nipple
- Neck of suction pad shaped for direct mounting in, for example, a perforated plate



Suitability for branch-specific applications

Designation code Flat suction pads SGS

| Short designation | Diameter in mm | Material and shore hardness |
|-------------------|----------------|-----------------------------|
| Example: SGS | 27 | NK-40 |
| SGS | 27 | NK-40 NK-48 |

Ordering data Flat suction pads SGS

| Type | Suction pad material * / hardness in Shore A | |
|-----------|--|---|
| SGS 27 NK | Natural Rubber NK 40±5ShA 10.01.01.00512 | Natural Rubber NK 48±5ShA 10.01.01.10491 |

*See Section 2, "Basic Principles of Suction-Pad Materials" for further details of materials

Ordering data spare parts suction pad nipples

| Type | Suction-pad connection nipple | |
|-----------|-------------------------------|----------------|
| SGS 27 NK | SA-NIP N032 G1/8-AG DN500 | 10.01.01.00824 |

Suction pads for plastic films and paper

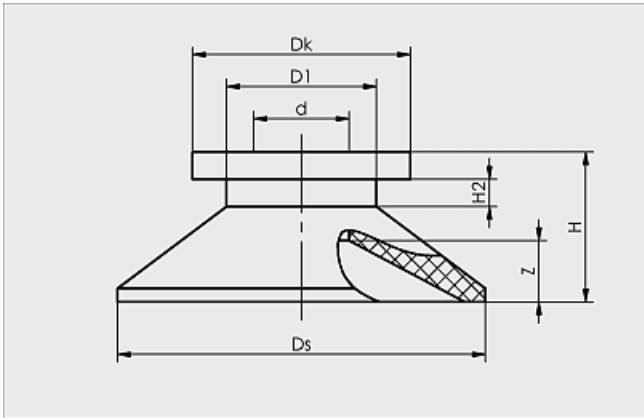
Flat suction pads SGS



Technical data Flat suction pads SGS

| Type | Suction force [N]* | Volume [cm ³] |
|-----------|--------------------|---------------------------|
| SGS 27 NK | 20 | 1,2 |

*The specified suction forces are theoretical values at a vacuum of -0.6 bar and with a smooth, dry workpiece surface - they do not include a safety factor



SGS 27 NK

Design data Flat suction pads SGS

| Type | Dimensions in mm* | | | | | | |
|-----------|-------------------|---|----|----|----|----|-----|
| | D1 | d | Dk | Ds | H | H2 | Z |
| SGS 27 NK | 11 | 7 | 16 | 27 | 11 | 2 | 3,5 |

*Acceptable dimensional tolerances for rubber parts concerning to M3 - DIN 7715