

Suction pads for handling CDs/DVDs



Suction pads SGR and SGH

Vacuum suction pads
2



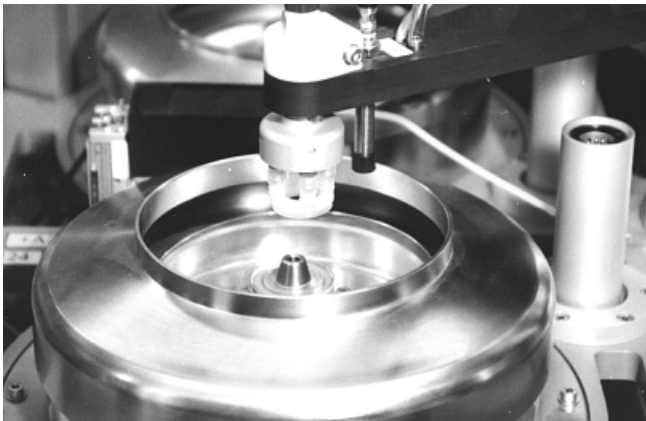
CD suction pads SGR and SGH

Our highlights...

- Wide range of different sizes and shapes
- Various diameters
- Full-ring version (SGR)
- Half-ring version (SGH)
- Also available with spring mounting (SGR-G, SGH-G)

Your advantages...

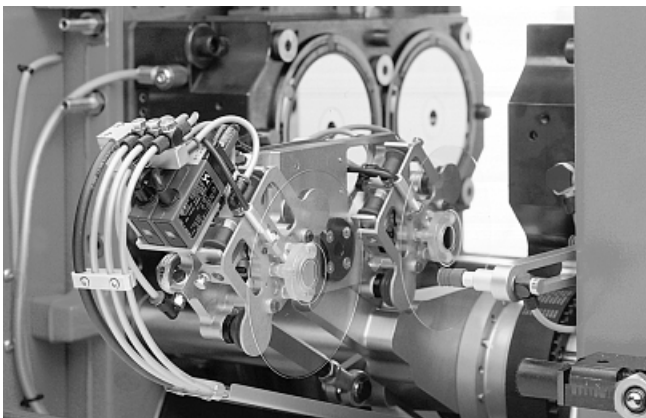
- > Wide range of models for various mountings
- > Models to match all common CD types
- > Full suction force in spite of small size
- > Can be moved sideways towards a centering mandrel
- > With lifting effect for better cancellation of adhesion forces



Annular suction pad SGR for handling of CDs and DVDs in the production process

Applications

- Handling of CDs or DVDs in fast-running, fully automatic systems
- Handling of CDs and DVDs in all processing steps of CD/DVD production and further processing



Removal of CDs from an injection moulding machine with suction pads SGH

Construction

- Robust and hard-wearing annular suction pad SGR/ SGH with single sealing lip, without nipple
- Neck of suction pad shaped for direct insertion into various mountings



Suitability for branch-specific applications

Suction pads for handling CDs/DVDs

Suction pads SGR and SGH



Designation code Suction pads SGR and SGH

Short designation	Diameter in mm	Material and shore hardness	Additional function
Example: SGR	31	SI-55	G
SGR...annular SGH...semi-annular	17 to 36	SI-35 to SI-65	G...spring-mounted version

Ordering data Suction pads SGR and SGH

Type	Suction pad material * / hardness in Shore A						
	Silicone SI 35±5ShA	Silicone SI 40±5ShA	Silicone SI 45±5ShA	Silicone SI 50±5ShA	Silicone SI 55±5ShA	Silicone SI 65±5ShA	Silicone SI-anti- stat. 50±5ShA
SGH 17	10.01.01.01088	-	-	-	-	-	-
SGR 24	-	10.01.01.00612	-	-	-	-	-
SGR 24 G	-	10.01.01.00773	-	-	-	-	-
SGR 31	-	-	-	-	10.01.01.10006	10.01.01.00615	10.01.01.01080
SGR 31 G	-	10.01.01.01275	-	-	-	-	-
SGR 33	-	10.01.01.01061	10.01.01.10526	-	-	-	10.01.01.10702
SGH 33 G	-	-	-	10.01.01.01063	-	-	-
SGH 36	10.01.01.01062	-	-	-	-	-	-

*See Section 2, "Basic Principles of Suction-Pad Materials" for further details of materials

Technical data Suction pads SGR and SGH

Type	Suction force [N]*	Weight [g]
SGH 17	11,0	1,1
SGR 24	7,0	1,5
SGR 24 G	7,0	3,7
SGR 31	28,2	1,8
SGR 31 G	19,0	4,1
SGR 33	36,2	4,2
SGH 33 G	23,1	2,1
SGH 36	24,1	1,6

*The specified suction forces are theoretical values at a vacuum of -0.6 bar and with a smooth, dry workpiece surface - they do not include a safety factor

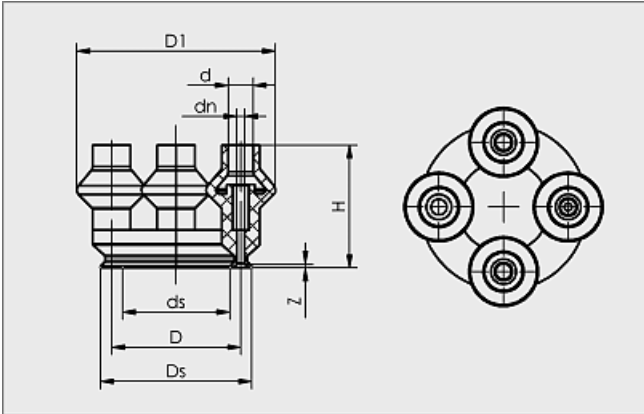
Suction pads for handling CDs/DVDs



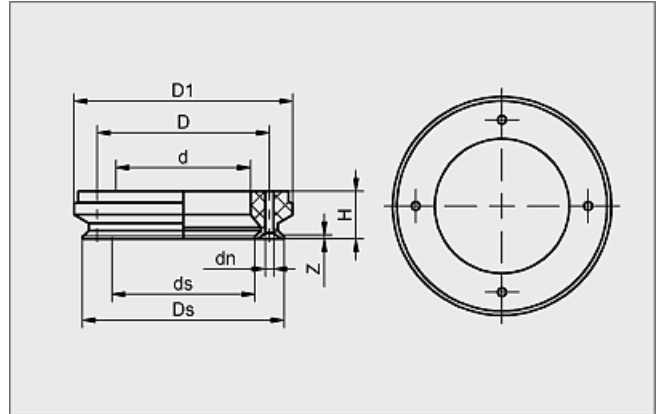
Suction pads SGR and SGH

Vacuum suction pads
2

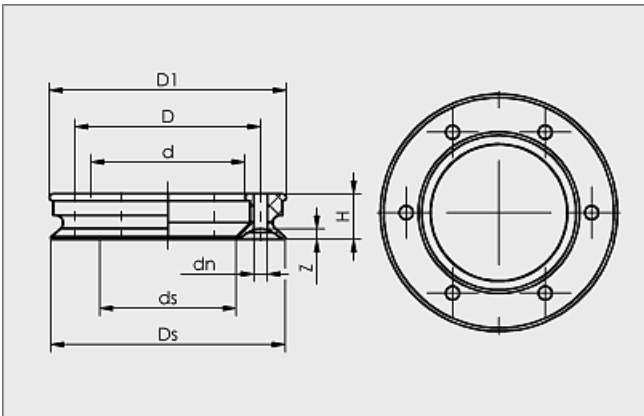
Design data Suction pads SGR and SGH



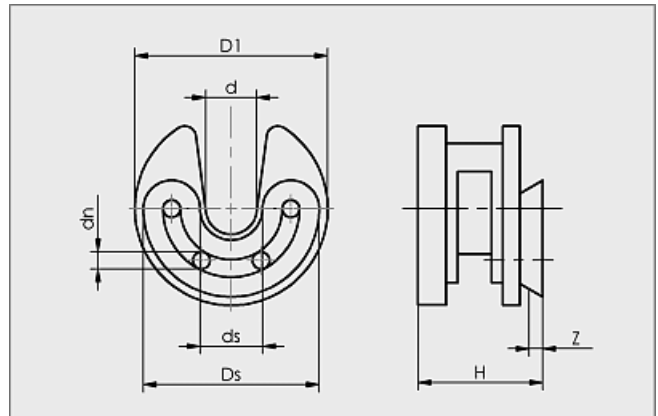
SGR 24 G and 31 G



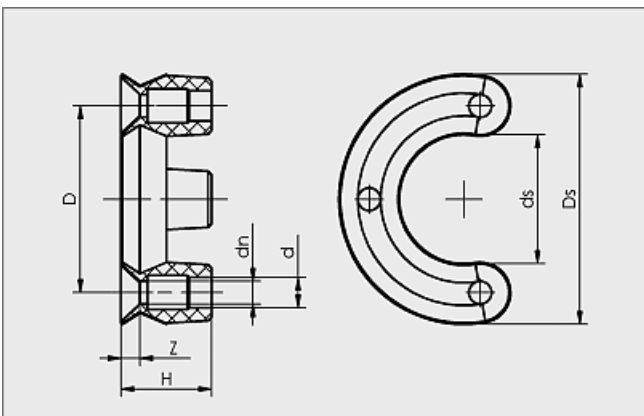
SGR 24



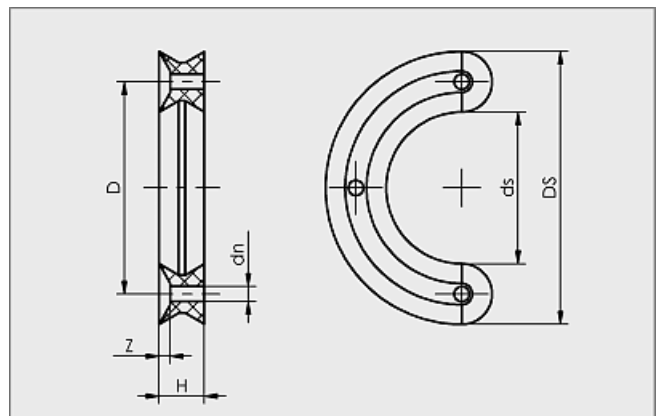
SGR 31 / 33



SGH 17



SGH 33 G



SGH 36

Suction pads for handling CDs/DVDs

Suction pads SGR and SGH



Design data Suction pads SGR and SGH

Type	Dimensions in mm*							
	d	D	D1	dn	ds	Ds	H	Z
SGH 17	4,5	-	17,0	1,5	5,5	15,5	11,0	1,0
SGR 24	16,0	20,5	26,0	1,0	17,0	24,0	5,7	0,8
SGR 24 G	4,0	20,5	31,5	1,2	17,0	24,0	19,5	0,8
SGR 31	20,4	24,5	31,3	1,8	18,0	31,0	6,0	1,4
SGR 31 G	4,0	24,5	35,5	1,8	18,0	31,0	20,5	1,4
SGR 33	16,5	22,0	33,0	3,2	17,9	33,0	8,0	-
SGH 33 G	4,0	25,0	-	3,0	17,4	33,0	12,0	1,0
SGH 36	-	28,0	-	2,0	20,0	36,0	6,0	1,5

*Acceptable dimensional tolerances for rubber parts concerning to M3 - DIN 7715