

Flat suction pads (oval)

Flat suction pads SGON



Flat suction pads SGON

Our highlights...

- Flat, oval suction pad
- Pads of the size 24 x 8 and larger additionally secured with a "two-ear clamp"
- Optimized shape
- Supports on the bottom

Your advantages...

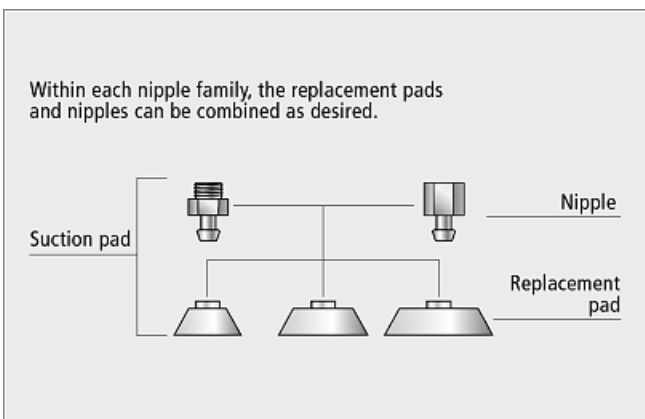
- > For long, curved (sections, pipes) workpieces or flat workpieces with bars
- > Protection against unwanted rotation during use
- > High suction force in spite of small dimensions
- > No permanent deformation of thin-walled workpieces



Flat suction pads SGON provide maximum suction force with reduced space requirements

Applications

- Handling of narrow workpieces, including curved objects, such as sections and pipes
- Handling of frame elements (doors and windows)
- Considerably higher suction force than round, flat suction pads when handling narrow workpieces



Modular suction-pad system

Construction

- Robust and hard-wearing suction pad SGON with single sealing lip, consisting of suction pad SGO and connection nipple
- Nipple plugged into pad
- Pads of the size 24 x 8 and larger are additionally secured with a "two-ear clamp" to prevent rotation
- Suction pads are delivered unassembled



Suitability for branch-specific applications

Flat suction pads (oval)

Flat suction pads SGON



Designation code Flat suction pads SGON

Short designation	Length x width in mm	Material and shore hardness	Connection thread
Example: SGON	30x10	SI-60	G1/8-IG
SGON...with connection nipple SGO...without connection nipple	4x2 to 90x30	NBR-60 NBR-AS-60 HT 1-60 SI-60 SI-70	M3 to G1/4-AG/IG (AG = male; IG = female)

Ordering data Flat suction pads SGON

Type	Suction pad material * / hardness in Shore A				
	High temp material HT1 60±5ShA	Perbunan NBR 60±5ShA	Perbunan NBR-antistat. 60±5ShA	Silicone SI 60±5ShA	Silicone SI 70±5ShA
SGON 4x2 AG	10.01.05.00404	10.01.01.00564	-	10.01.01.00565	-
SGON 7x3.5 AG	10.01.05.00405	10.01.01.00489	10.01.05.00228	10.01.01.00567	-
SGON 12x4 AG	10.01.05.00406	10.01.05.00236	10.01.05.00238	-	10.01.01.00221
SGON 15x5 AG	10.01.05.00407	10.01.05.00106	10.01.05.00229	10.01.05.00120	-
SGON 15x5 IG	10.01.05.00418	10.01.05.00105	-	10.01.05.00119	-
SGON 18x6 AG	10.01.05.00408	10.01.05.00104	10.01.05.00230	10.01.05.00118	-
SGON 18x6 IG	10.01.05.00419	10.01.05.00103	-	10.01.05.00117	-
SGON 24x8 AG	10.01.05.00409	10.01.05.00102	10.01.05.00231	10.01.05.00088	-
SGON 24x8 IG	10.01.05.00420	10.01.05.00101	-	10.01.05.00087	-
SGON 30x10 AG	10.01.05.00410	10.01.05.00100	-	10.01.05.00116	-
SGON 30x10 IG	10.01.05.00421	10.01.05.00099	-	10.01.05.00115	-
SGON 45x15 AG	10.01.05.00411	10.01.05.00098	-	10.01.05.00114	-
SGON 45x15 IG	10.01.05.00422	10.01.05.00097	-	10.01.05.00113	-
SGON 60x20 AG	10.01.05.00412	10.01.05.00096	-	10.01.05.00112	-
SGON 60x20 IG	10.01.05.00423	10.01.05.00095	-	10.01.05.00111	-
SGON 75x25 AG	10.01.05.00413	10.01.05.00094	-	10.01.05.00110	-
SGON 75x25 IG	10.01.05.00424	10.01.05.00093	-	10.01.05.00109	-
SGON 90x30 AG	-	10.01.05.00092	-	-	10.01.05.00108
SGON 90x30 IG	-	10.01.05.00091	-	-	10.01.05.00107

*See Section 2, "Basic Principles of Suction-Pad Materials" for further details of materials

Ordering data spare parts suction pads

Type	Suction pad material * / hardness in Shore A				
	High temp material HT1 60±5ShA	Perbunan NBR 60±5ShA	Perbunan NBR-antistat. 60±5ShA	Silicone SI 60±5ShA	Silicone SI 70±5ShA
SGO 4x2	10.01.05.00426	10.01.01.00456	-	10.01.01.00463	-
SGO 7x3.5	10.01.05.00427	10.01.01.00488	10.01.05.00224	10.01.01.00464	-
SGO 12x4	10.01.05.00428	10.01.05.00235	10.01.05.00237	-	10.01.01.00222
SGO 15x5	10.01.05.00429	10.01.05.00071	10.01.05.00225	10.01.05.00079	-
SGO 18x6	10.01.05.00430	10.01.05.00072	10.01.05.00226	10.01.05.00080	-
SGO 24x8	10.01.05.00437	10.01.05.00151	10.01.05.00227	10.01.05.00157	-
SGO 30x10	10.01.05.00438	10.01.05.00152	-	10.01.05.00158	-
SGO 45x15	10.01.05.00439	10.01.05.00153	-	10.01.05.00159	-
SGO 60x20	10.01.05.00440	10.01.05.00154	-	10.01.05.00160	-
SGO 75x25	10.01.05.00441	10.01.05.00155	-	10.01.05.00161	-
SGO 90x30	-	10.01.05.00156	-	-	10.01.05.00162

*See Section 2, "Basic Principles of Suction-Pad Materials" for further details of materials

Flat suction pads (oval)

Flat suction pads SGON



Vacuum suction pads
2

Ordering data spare parts suction pad nipples

Type	Suction-pad nipples [AG]		Suction-pad nipples [IG]		two-ear terminal*	
SGON 4x2 M3	SA-NIP N003 M3-AG	10.01.01.00316	-	-	-	-
SGON 7x3.5 M3	SA-NIP N003 M3-AG	10.01.01.00316	-	-	-	-
SGON 12x4 M5	SA-NIP N020 M5-AG	10.01.01.00312	-	-	-	-
SGON 15x5 M5	SA-NIP N021 M5-AG	10.01.05.00126	SA-NIP N021 M5-IG	10.01.05.00125	-	-
SGON 18x6 M5	SA-NIP N021 M5-AG	10.01.05.00126	SA-NIP N021 M5-IG	10.01.05.00125	-	-
SGON 24x8 G1/8	SA-NIP N022 G1/8-AG	10.01.05.00124	SA-NIP N022 G1/8-IG	10.01.05.00123	ZOKL 11-13	10.07.10.00032
SGON 30x10 G1/8	SA-NIP N022 G1/8-AG	10.01.05.00124	SA-NIP N022 G1/8-IG	10.01.05.00123	ZOKL 11-13	10.07.10.00032
SGON 45x15 G1/4	SA-NIP N023 G1/4-AG	10.01.05.00122	SA-NIP N023 G1/4-IG	10.01.05.00121	ZOKL 15-18	10.07.10.00033
SGON 60x20 G1/4	SA-NIP N023 G1/4-AG	10.01.05.00122	SA-NIP N023 G1/4-IG	10.01.05.00121	ZOKL 15-18	10.07.10.00033
SGON 75x25 G1/4	SA-NIP N023 G1/4-AG	10.01.05.00122	SA-NIP N023 G1/4-IG	10.01.05.00121	ZOKL 15-18	10.07.10.00033
SGON 90x30 G1/4	SA-NIP N023 G1/4-AG	10.01.05.00122	SA-NIP N023 G1/4-IG	10.01.05.00121	ZOKL 15-18	10.07.10.00033

*In the case of replacement pad SGO, the two-ear terminal is included

Technical data Flat suction pads SGON

Type	Suction force [N]*	Volume [cm ³]	Min. curve radius [mm] (convex)	Recom. internal hose diameter d [mm]	Nipple family
SGON 4x2	0,42	0,004	1	2	N 003
SGON 7x3.5	1,00	0,019	3	2	N 003
SGON 12x4	1,80	0,048	3	2	N 020
SGON 15x5	3,10	0,036	4	2	N 021
SGON 18x6	4,50	0,058	4	2	N 021
SGON 24x8	8,00	0,138	8	4	N 022
SGON 30x10	12,20	0,280	8	4	N 022
SGON 45x15	28,20	0,980	10	6	N 023
SGON 60x20	50,10	2,300	20	6	N 023
SGON 75x25	78,30	4,700	30	6	N 023
SGON 90x30	112,60	8,500	35	6	N 023

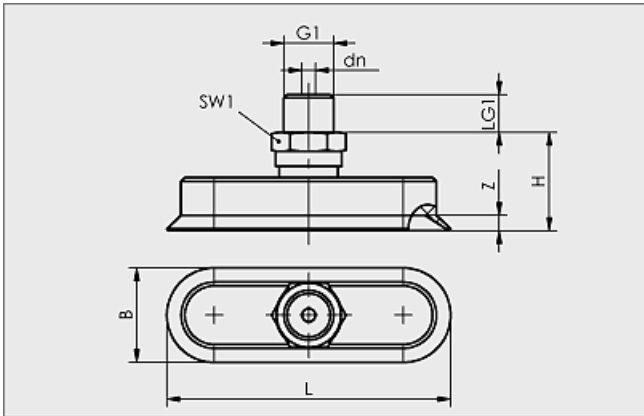
*The specified suction forces are theoretical values at a vacuum of -0.6 bar and with a smooth, dry workpiece surface - they do not include a safety factor

Flat suction pads (oval)

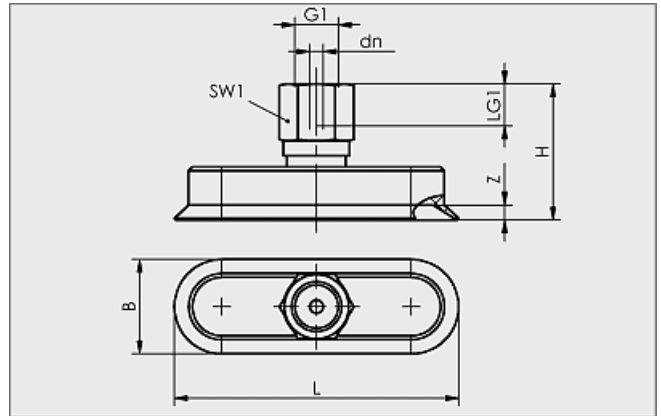
Flat suction pads SGON



Design data Flat suction pads SGON



SGON 4x2 to 90x30 AG



SGON 15x5 to 90x30 IG

Type	Dimensions in mm*							
	B	dn	G1	H	L	LG1	SW1	Z
SGON 4x2 AG	2,0	1,0	M3-M	8	4	3,0	5	0,5
SGON 7x3.5 AG	3,5	1,0	M3-M	8	7	3,0	5	0,8
SGON 12x4 AG	4,0	1,8	M5-M	18	12	4,5	8	0,5
SGON 15x5 AG	5,0	2,0	M5-M	17	15	5,0	8	0,7
SGON 15x5 IG	5,0	2,0	M5-F	22	15	5,5	8	0,7
SGON 18x6 AG	6,0	2,0	M5-M	17	18	5,0	8	0,8
SGON 18x6 IG	6,0	2,0	M5-F	22	18	5,5	8	0,8
SGON 24x8 AG	8,0	3,5	G1/8"-M	17	24	8,0	14	1,0
SGON 24x8 IG	8,0	3,5	G1/8"-F	25	24	9,0	14	1,0
SGON 30x10 AG	10,0	3,5	G1/8"-M	17	30	8,0	14	1,5
SGON 30x10 IG	10,0	3,5	G1/8"-F	25	30	9,0	14	1,5
SGON 45x15 AG	15,0	3,5	G1/4"-M	26	45	10,0	17	2,0
SGON 45x15 IG	15,0	3,5	G1/4"-F	36	45	12,0	17	2,0
SGON 60x20 AG	20,0	3,5	G1/4"-M	26	60	10,0	17	2,5
SGON 60x20 IG	20,0	3,5	G1/4"-F	36	60	12,0	17	2,5
SGON 75x25 AG	25,0	3,5	G1/4"-M	26	75	10,0	17	2,8
SGON 75x25 IG	25,0	3,5	G1/4"-F	36	75	12,0	17	2,8
SGON 90x30 AG	30,0	3,5	G1/4"-M	26	90	10,0	17	3,5
SGON 90x30 IG	30,0	3,5	G1/4"-F	36	90	12,0	17	3,5

*Acceptable dimensional tolerances for rubber parts concerning to M3 - DIN 7715

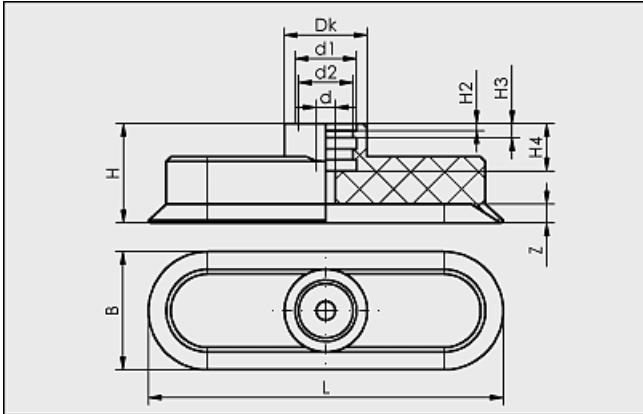
Flat suction pads (oval)

Flat suction pads SGON



Vacuum suction pads
2

Design data Flat suction pads SGO



SGO 4x2 to 90x30

Type	Dimensions in mm*										
	B	d	d1	d2	Dk	H	H2	H3	H4	L	Z
SGO 4x2	2,0	1,2	3	2,4	6,0	6	2,4	3,4	-	4	0,5
SGO 7x3.5	3,5	1,5	3	2,4	6,0	6	2,4	3,4	-	7	0,8
SGO 12x4	4,0	3,5	4	-	8,0	15	9,5	-	-	12	0,5
SGO 15x5	5,0	2,8	6	4,5	8,5	12	1,0	3,0	5,5	15	0,7
SGO 18x6	6,0	3,2	6	4,5	8,5	12	1,0	3,0	5,5	18	0,8
SGO 24x8	8,0	1,5	7	5,5	11,5	12	1,0	3,0	5,5	24	1,0
SGO 30x10	10,0	2,5	7	5,5	11,5	12	1,0	3,0	5,5	30	1,5
SGO 45x15	15,0	3,0	13	11,5	15,5	21	1,5	3,0	10,0	45	2,0
SGO 60x20	20,0	4,0	13	11,5	15,5	21	1,5	3,0	10,0	60	2,5
SGO 75x25	25,0	4,0	13	11,5	17,5	21	1,5	3,0	10,0	75	2,8
SGO 90x30	30,0	4,0	13	11,5	17,5	21	1,5	3,0	10,0	90	3,5

*Acceptable dimensional tolerances for rubber parts concerning to M3 - DIN 7715