

Suction pads for plastic films and paper

Flat suction pads SGN 25 K to SGN 40 K



Film and paper suction pads SGN K

Our highlights...

- Specially shaped sealing lip
- Optimised combination of shape and material

Your advantages...

- > Particularly suitable for paper and plastic films
- > No wrinkling when gripping paper and plastic films

Applications

- Handling of paper and plastic films
- Handling of parquet blocks and wood veneers
- Handling of solar cells



Construction

- Robust and hard-wearing suction pad SGN K with single sealing lip, consisting of suction pad SG K and connection nipple
- Nipple plugged into pad
- Suction pads are delivered unassembled

Suitability for branch-specific applications

Designation code Flat suction pads SGN 25 K to SGN 40 K

Short designation	Diameter in mm	Material and shore hardness	Connection thread	Additional function
Example: SGN	25	NBR-60	G1/8-IG	K
SGN...with connection nipple SG...without connection nipple	25 and 40	NBR-60	G1/8-AG/IG (AG = male), (IG = female)	K...rounded sealing lip

Ordering data Flat suction pads SGN 25 K to SGN 40 K

Type	Connection	
	G1/8" (male)	G1/8" (female)
SGN 25 NBR-60 K	10.01.01.00208	10.01.01.00206
SGN 40 NBR-60 K	10.01.01.00784	10.01.01.00785

Ordering data spare parts suction pads and suction pad nipples

Type	Flat suction pad (round)		Type	Suction-pad connection nipple	
	SG 25 NBR-60 N006	10.01.01.00210		SA-NIP N006 G1/8-AG DN200	10.01.01.03530
SGN 25 NBR-60 K	SG 40 NBR-60 N006	10.01.01.00484	SA-NIP N006 G1/8-IG DN200	10.01.01.03522	
SGN 40 NBR-60 K					

Suction pads for plastic films and paper



Flat suction pads SGN 25 K to SGN 40 K

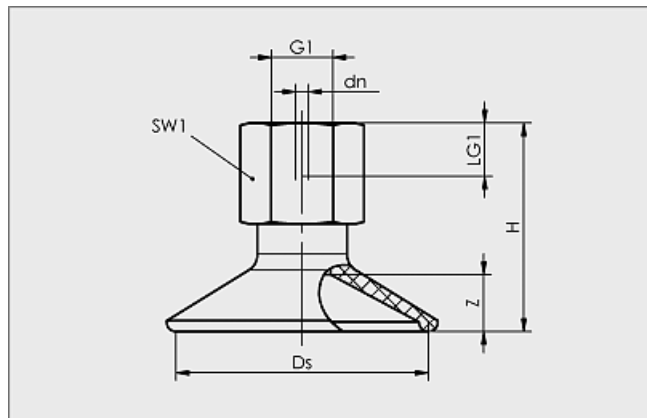
Vacuum suction pads
2

Technical data Flat suction pads SGN 25 K to SGN 40 K

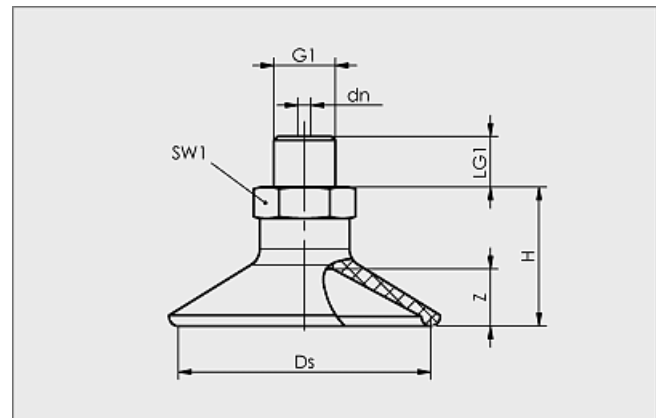
Type	Suction force [N]*	Volume [cm ³]	Min. curve radius [mm] (convex)	Recom. internal hose diameter d [mm]	Nipple family
SGN 25 NBR-60 K	10	1,4	20	4	N 006
SGN 40 NBR-60 K	45	3,4	45	4 </tr	

*The specified suction forces are theoretical values at a vacuum of -0.6 bar and with a smooth, dry workpiece surface - they do not include a safety factor

Design data Flat suction pads SGN 25 K to SGN 40 K



SGN 25 K to 40 K IG



SGN 25 K to 40 K AG

Type	Dimensions in mm*						
	dn	Ds	G1	H	LG1	SW1	Z
SGN 25 NBR-60 G1/8-AG K	2	25	G1/8"-M	21	8	14	6
SGN 25 NBR-60 G1/8-IG K	2	25	G1/8"-F	32	9	14	6
SGN 40 NBR-60 G1/8-AG K	2	40	G1/8"-M	22	8	14	9
SGN 40 NBR-60 G1/8-IG K	2	40	G1/8"-F	33	9	14	9

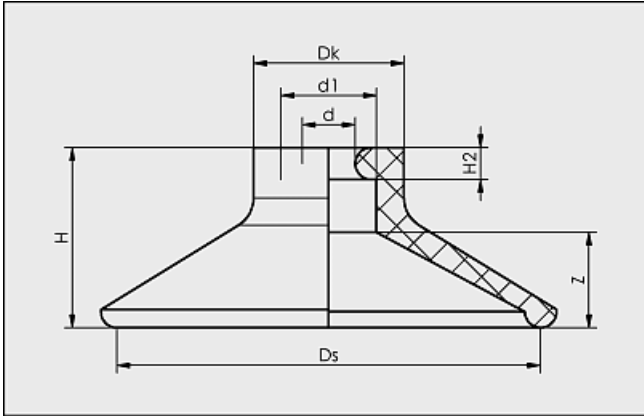
*Acceptable dimensional tolerances for rubber parts concerning to M3 - DIN 7715

Suction pads for plastic films and paper

Flat suction pads SGN 25 K to SGN 40 K



Design data Flat suction pads SG 25 K to SG 40 K



SG 25 K to 40 K

Type	Dimensions in mm*						
	d	d1	Dk	Ds	H	H2	Z
SG 25 K	6	8	14	25	16	3	6
SG 40 K	6	8	14	40	17	3	9

*Acceptable dimensional tolerances for rubber parts concerning to M3 - DIN 7715