

Suction pads for different branches



Flat suction pads SGN 6.3 to SGN 25



Special suction pads SGN 6.3 to SGN 25

Our highlights...

- Long, slim shape
- Long, tapered and elastic sealing lip

Your advantages...

- >Special suction pad, particularly suitable for workpieces which are very easily damaged
- >Also suitable for workpieces with uneven surfaces

Applications

- Handling of very easily damaged workpieces, even those with uneven (not rough) surfaces

Construction

- Robust and hard-wearing suction pad SGN with single sealing lip, consisting of suction pad SG and connection nipple
- Suction pad with extra-long shaft
- Nipple plugged into the suction pad
- Suction pads are delivered unassembled



Suitability for branch-specific applications

Designation code Flat suction pads SGN 6.3 to SGN 25

Short designation	Diameter in mm	Material and shore hardness	Connection thread
Example: SGN	8	SI-55	M5-AG
SGN...with connection nipple	6.3 to 25	NBR-55	M5-AG (AG = male)
SG...without connection nipple		SI-55	G1/8-AG

Ordering data Flat suction pads SGN 6.3 to SGN 25

Type	Suction pad material * / hardness in Shore A	
	Perbunan NBR 55±5ShA	Silicone SI 55±5ShA
SGN 6.3 M5-AG	10.01.01.00197	10.01.01.10036
SGN 8 M5-AG	10.01.01.00715	10.01.01.00745
SGN 10 M5-AG	10.01.01.00198	10.01.01.10037
SGN 16 M5-AG	10.01.01.00199	10.01.01.10038
SGN 25 G1/8-AG	10.01.01.00200	10.01.01.10039

*See Section 2, "Basic Principles of Suction-Pad Materials" for further details of materials

Suction pads for different branches



Flat suction pads SGN 6.3 to SGN 25

Vacuum suction pads

2

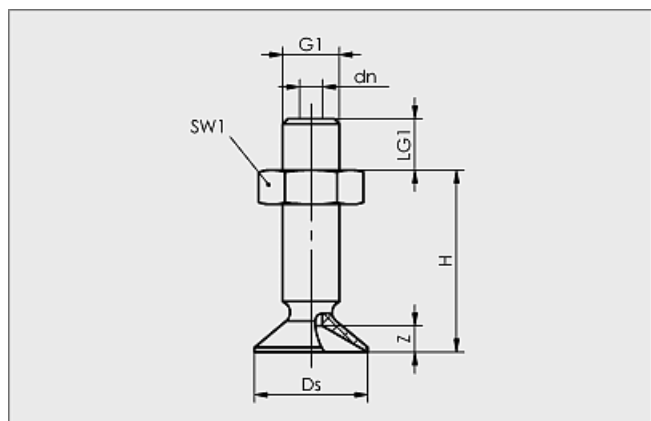
Ordering data spare parts suction pads and suction pad nipples

Type	Perbunan NBR 55±5ShA	Silicone SI 55±5ShA	Type	Suction-pad connection nipple	
SG 6.3	10.01.01.00193	10.01.01.00600	SGN 6.3 M5-AG	SA-NIP N024 M5-AG DN100	10.01.01.00317
SG 8	10.01.01.00713	10.01.01.00744	SGN 8 M5-AG	SA-NIP N040 M5-AG DN100	10.01.01.00714
SG 10	10.01.01.00194	10.01.01.00601	SGN 10 M5-AG	SA-NIP N025 M5-AG DN200	10.01.01.00318
SG 16	10.01.01.00195	10.01.01.00602	SGN 16 M5-AG	SA-NIP N026 M5-AG DN200	10.01.01.00319
SG 25	10.01.01.00196	10.01.01.00603	SGN 25 G1/8-AG	SA-NIP N027 G1/8-AG DN350	10.01.01.00320

Technical data Flat suction pads SGN 6.3 to SGN 25

Type	Suction force [N]*	Volume [cm ³]	Min. curve radius [mm] (convex)	Recom. internal hose diameter d [mm]	Nipple family
SGN 6.3 M5-AG	1,5	0,017	8	2	N 024
SGN 8 M5-AG	2,3	0,035	8	2	N 040
SGN 10 M5-AG	4,0	0,065	10	2	N 025
SGN 16 M5-AG	8,0	0,330	15	2	N 026
SGN 25 G1/8-AG	24,0	1,000	20	4	N 027

*The specified suction forces are theoretical values at a vacuum of -0.6 bar and with a smooth, dry workpiece surface - they do not include a safety factor

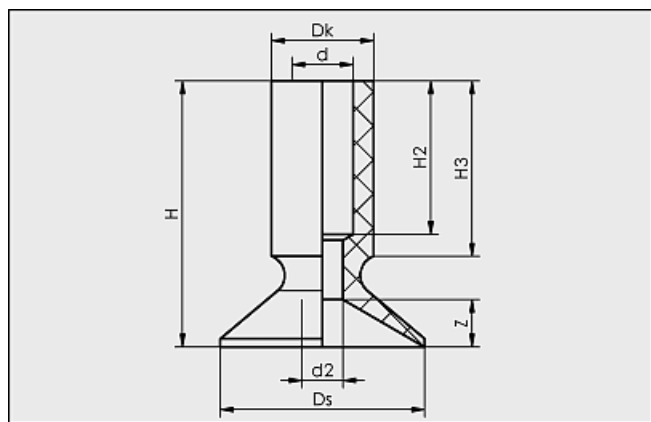


SGN 6.3 to 25 AG

Design data SGN 6.3 to SGN 25

Type	Dimensions in mm*						
	dn	Ds	G1	H	LG1	SW1	Z
SGN 6.3 M5-AG	1,0	6,3	M5-M	15,0	4,5	8	1,5
SGN 8 M5-AG	1,0	8,0	M5-M	11,5	4,5	8	1,7
SGN 10 M5-AG	2,0	10,0	M5-M	16,0	4,5	8	2,0
SGN 16 M5-AG	2,0	16,0	M5-M	23,0	4,5	8	4,0
SGN 25 G1/8-AG	3,5	25,0	G1/8"-M	35,0	8,0	14	5,0

*Acceptable dimensional tolerances for rubber parts concerning to M3 - DIN 7715



SG 6.3 to 25

Design data Flat suction pads SG 6.3 to SG 25

Type	Dimensions in mm*							
	d	d2	Dk	Ds	H	H2	H3	Z
SG 6.3	2	1,0	4	6,3	12,0	8,5	9,5	1,5
SG 8	2	1,5	4	8,0	8,5	4,0	4,8	1,7
SG 10	3	2,0	5	10,0	13,5	8,0	9,0	2,0
SG 16	5	3,0	8	16,0	20,0	8,0	14,0	4,0
SG 25	8	4,0	12	25,0	31,0	18,0	22,0	5,0

*Acceptable dimensional tolerances for rubber parts concerning to M3 - DIN 7715