

Suction pads for different branches



Flat suction pads SGN 120



Special suction pads SGN 120

Our highlights...

- Extremely flat sealing lip
- Special material: Epichlor-H rubber ECO

Your advantages...

- >Special suction pad for workpieces of varying widths, even those narrower than the suction pad diameter
- >Extremely good resistance to chemicals

Applications

- Gripping of workpieces with differing shapes, such as flat materials with varying widths
- Handling of workpieces which are considerably narrower than the suction pad, such as metal bars, parquet blocks, etc. (minimum width 25 mm)



Construction

- Robust and hard-wearing suction pad SGN with single sealing lip, connection nipple vulcanised to pad
- Nipple with male thread

Suitability for branch-specific applications

Ordering data Flat suction pads SGN 120

| Type* | Article No. |
|------------------------|----------------|
| SGN 120 ECO-60 G1/4-AG | 10.01.01.00212 |

*See Section 2, "Basic Principles of Suction-Pad Materials" for further details of materials

Technical data Flat suction pads SGN 120

| Type* | Suction force [N]** | Volume [cm ³] | Recom. internal hose diameter d [mm] |
|------------------------|---------------------|---------------------------|--------------------------------------|
| SGN 120 ECO-60 G1/4-AG | 200 | 2,14 | 6 |

*For use with flat workpieces

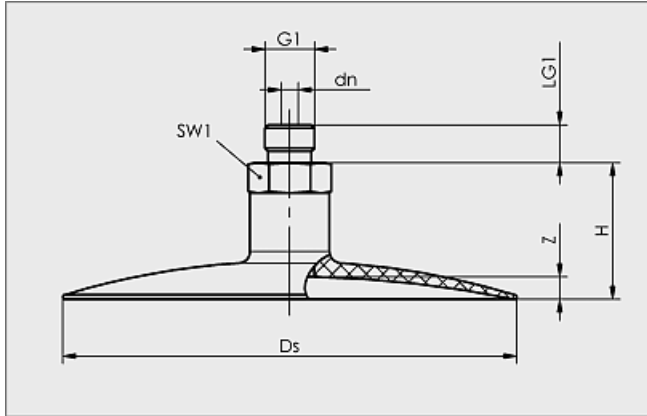
**The specified suction forces are theoretical values at a vacuum of -0.6 bar and with a smooth, dry workpiece surface et une occupation complète de la ventouse - they do not include a safety factor

Suction pads for different branches



Flat suction pads SGN 120

Vacuum suction pads
2



SGN 120 AG

Design data Flat suction pads SGN 120

| Type | Dimensions in mm* | | | |
|------------------------|-------------------|-----|---------|----|
| | dn | Ds | G1 | H |
| SGN 120 ECO-60 G1/4-AG | 4,5 | 120 | G1/4"-M | 36 |

| Type | Dimensions in mm* | | |
|------------------------|-------------------|-----|---|
| | LG1 | SW1 | Z |
| SGN 120 ECO-60 G1/4-AG | 10 | 19 | 4 |

*Acceptable dimensional tolerances for rubber parts concerning to M3 - DIN 7715