

Suction pads for handling sheet metal



Bell suction pads SGGN 53 / 80

Vacuum suction pads
2



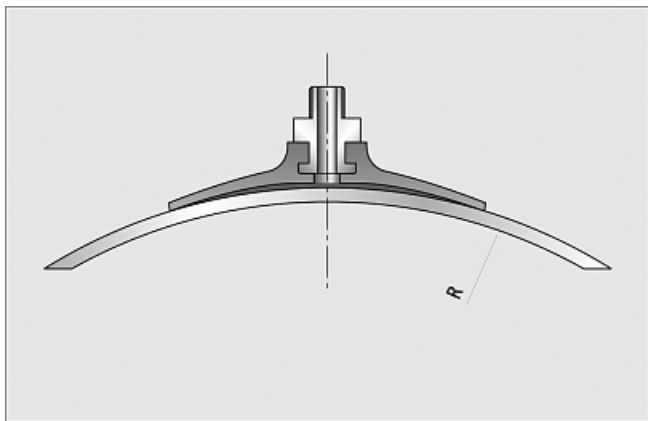
Bell suction pads SGGN 53 and 80

Our highlights...

- Bell-shaped suction pad
- Specially structured bottom surface
- Very stiff suction pad
- Nipple vulcanised to pad

Your advantages...

- >Optimal adaptation to strongly curved surfaces
- >Suitable for extremely dynamic handling operations
- >Very good stability when subjected to horizontal forces and acceleration
- >Prevents damage and downtimes which result from loss of suction pads



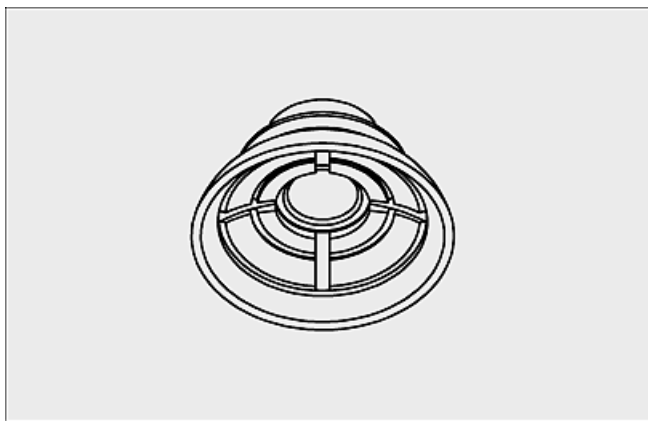
Pick-up behaviour SGGN 53 / 80

Applications

- Handling of workpieces with very small radii of curvature
- Handling of sheet metal in very dynamic applications (shorter cycle times)
- Prevention of oscillation of workpieces during handling, thanks to very stiff construction
- Suitable for use in, for example, feeder systems for press lines in the automotive industry
- Non-slip handling of oily metal sheets thanks to special groove in lower surface

Construction

- Round, bell-shaped suction pad with single sealing lip, special groove and inner support
- Made of natural rubber NBR, material hardness 60 Shore
- Delivered with nipple already installed



Suitability for branch-specific applications



Suction pads for handling sheet metal

Bell suction pads SGGN 53 / 80



Designation code Bell suction pads SGGN 53 / 80

Short designation	Diameter in mm	Material and shore hardness	Connection thread
Example: SGGN	53	NBR-60	G1/4-AG
SGGN	53 and 80	NBR-60	G1/4-AG (AG = male) G3/8-IG (IG = female) M10-AG

Ordering data Bell suction pads SGGN 53 / 80

Type	Connection		
	G1/4" (male)	G3/8" (female)	M10 (male)
SGGN 53 NBR-60	10.01.01.11172	10.01.01.10422	10.01.01.10429
SGGN 80 NBR-60	10.01.01.11173	10.01.01.10423	10.01.01.10430

Technical data Bell suction pads SGGN 53 / 80

Type	Suction force [N]*	Volume [cm ³]	Min. curve radius [mm] (convex)	Recom. internal hose diameter d [mm]
SGGN 53 NBR-60	85	17	40	6
SGGN 80 NBR-60	190	60	50	6

*The specified suction forces are theoretical values at a vacuum of -0.6 bar and with a smooth, dry workpiece surface - they do not include a safety factor

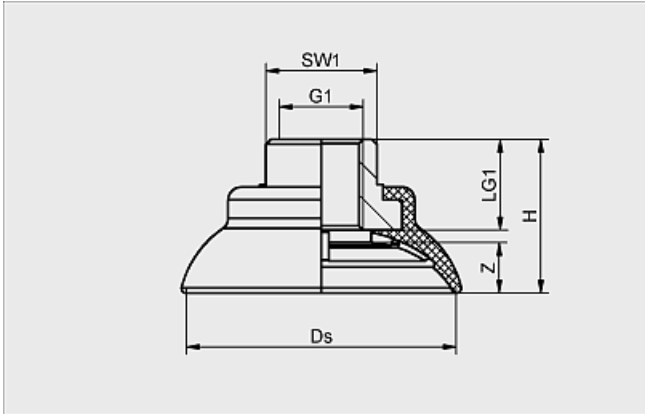
Suction pads for handling sheet metal



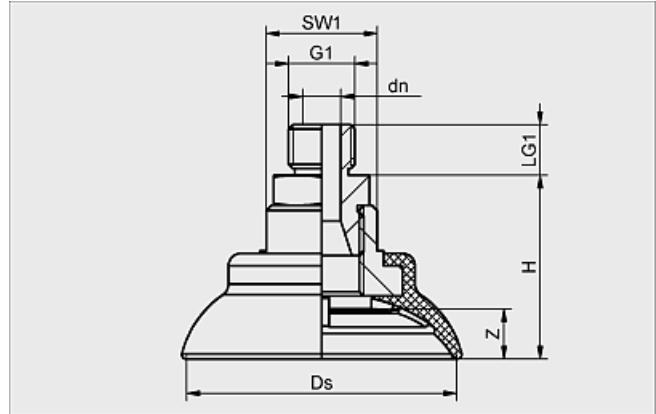
Bell suction pads SGGN 53 / 80

Vacuum suction pads
2

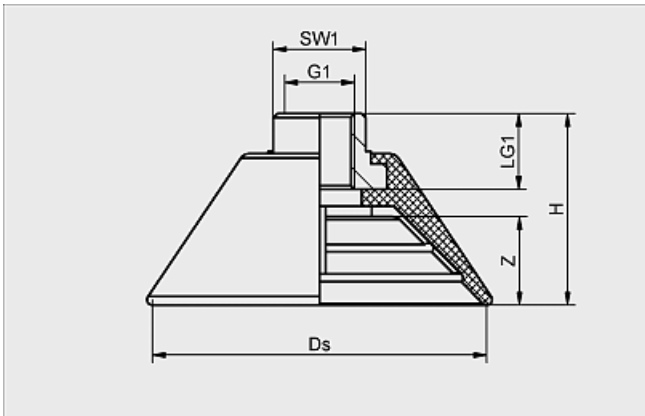
Design data Bell suction pads SGGN 53 / 80



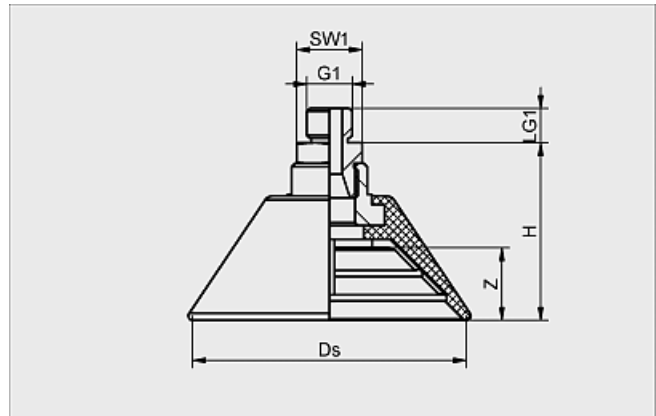
SGGN 53 IG



SGGN 53 AG



SGGN 80 IG



SGGN 80 AG

Design data Bell suction pads SGGN 53 / 80

Type	Dimensions in mm*						
	dn	Ds	G1	H	LG1	SW1	Z
SGGN 53 NBR-60 G1/4-AG	7,5	53,5	G1/4"-M	36,5	10	22	10
SGGN 53 NBR-60 G3/8-IG	14,9	53,5	G3/8"-F	30,5	18	22	10
SGGN 53 NBR-60 M10-AG	3,4	53,5	M10-M	30,5	12	22	10
SGGN 80 NBR-60 G1/4-AG	7,5	79,5	G1/4"-M	51,5	10	22	21
SGGN 80 NBR-60 G3/8-IG	14,9	79,5	G3/8"-F	45,5	18	22	21
SGGN 80 NBR-60 M10-AG	3,4	79,5	M10-M	45,5	12	22	21

*Acceptable dimensional tolerances for rubber parts concerning to M3 - DIN 7715