

# Suction pads for different branches



## Flat suction pads SGAN



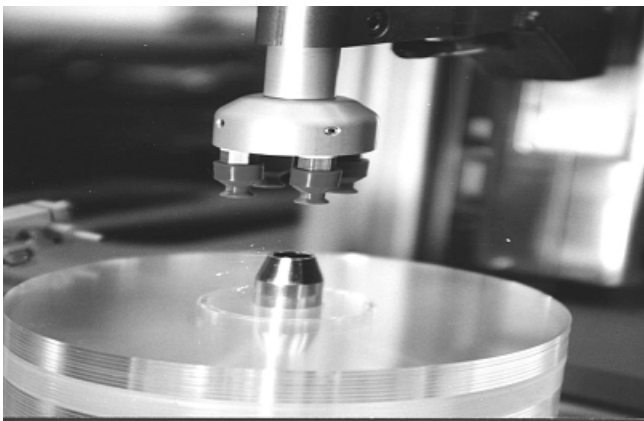
Special suction pads SGAN

### Our highlights...

- Soft, flexible sealing lip
- Special material: silicone SI
- Special material: polyurethane PU
- Optimized shape

### Your advantages...

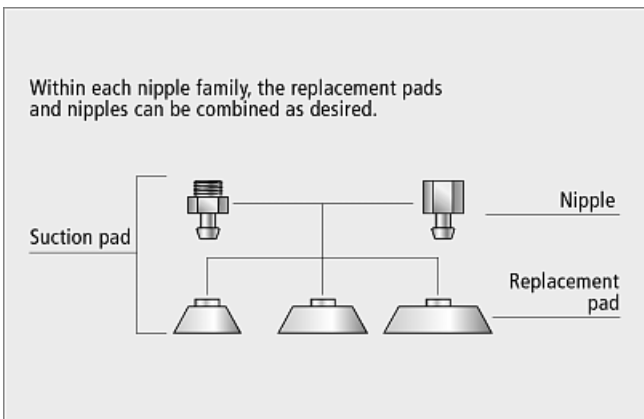
- >Special suction pad for workpieces which are very easily damaged, such as CDs or DVDs
- >Very suitable for particularly high and low temperatures
- >Long lifetime, high resistance to wear
- >Particularly suitable for multi-shift operations with very short cycle times



Special suction pads SGAN for handling of CDs and DVDs

### Applications

- Handling of CDs and DVDs
- Handling of wood veneers
- Handling of wafers and solar cells



Modular suction-pad system

### Construction

- Robust and hard-wearing suction pad SGAN with single sealing lip, consisting of suction pad SGA and connection nipple
- Connection nipple is plugged in on pads of all sizes
- Suction pads are delivered unassembled



### Suitability for branch-specific applications

# Suction pads for different branches



## Flat suction pads SGAN

Vacuum suction pads  
2

### Designation code Flat suction pads SGAN

Short designation	Diameter in mm	Material and shore hardness	Connection thread
Example: SGAN	9	SI-50	M5-AG
SGAN...with connection nipple	7 to 16	SI-50	M5-IG/AG (AG = male)
SGA...without connection nipple		PU-60	G1/8-IG/AG (IG = female)

### Ordering data Flat suction pads SGAN

Type	Suction pad material * / hardness in Shore A	
	Polyurethane PU 60±5ShA	Silicone SI 50±5ShA
SGAN 7 M5-AG	10.01.01.00800	10.01.01.00798
SGAN 7 M5-IG	10.01.01.00799	10.01.01.00797
SGAN 9 M5-AG	10.01.01.00804	10.01.01.00802
SGAN 9 M5-IG	10.01.01.00803	10.01.01.00801
SGAN 13 G1/8-AG	10.01.01.00808	10.01.01.00806
SGAN 13 G1/8-IG	10.01.01.00807	10.01.01.00805
SGAN 16 G1/8-AG	10.01.01.00812	10.01.01.00810
SGAN 16 G1/8-IG	10.01.01.00811	10.01.01.00809

\*See Section 2, "Basic Principles of Suction-Pad Materials" for further details of materials

### Ordering data spare parts suction pads and suction pad nipples

Type	Polyurethane PU 60±5ShA	Silicone SI 50±5ShA	Type	Suction-pad connection nipple	
SGA 7	10.01.01.00570	10.01.01.00347	SGAN 7 M5-AG	SA-NIP N028 M5-AG DN200	10.01.01.00753
SGA 9	10.01.01.00569	10.01.01.00348	SGAN 7 M5-IG	SA-NIP N028 M5-IG DN200	10.01.01.00813
SGA 13	10.01.01.00571	10.01.01.00349	SGAN 9 M5-AG	SA-NIP N028 M5-AG DN200	10.01.01.00753
SGA 16	10.01.01.00572	10.01.01.00452	SGAN 9 M5-IG	SA-NIP N028 M5-IG DN200	10.01.01.00813
			SGAN 13 G1/8-AG	SA-NIP N029 G1/8-AG DN350	10.01.01.00816
			SGAN 13 G1/8-IG	SA-NIP N029 G1/8-IG DN350	10.01.01.00815
			SGAN 16 G1/8-AG	SA-NIP N029 G1/8-AG DN350	10.01.01.00816
			SGAN 16 G1/8-IG	SA-NIP N029 G1/8-IG DN350	10.01.01.00815

### Technical data Flat suction pads SGAN

Type	Suction force [N]*	Volume [cm³]	Min. curve radius [mm] (convex)	Recom. internal hose diameter d [mm]	Nipple family
SGAN 7	1,6	0,033	8	2	N 028
SGAN 9	2,1	0,050	10	2	N 028
SGAN 13	4,7	0,098	13	4	N 029
SGAN 16	6,9	0,137	15	4	N 029

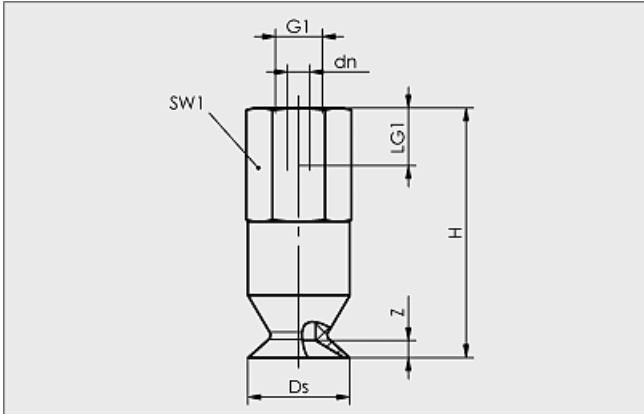
\*The specified suction forces are theoretical values at a vacuum of -0.6 bar and with a smooth, dry workpiece surface - they do not include a safety factor

# Suction pads for different branches

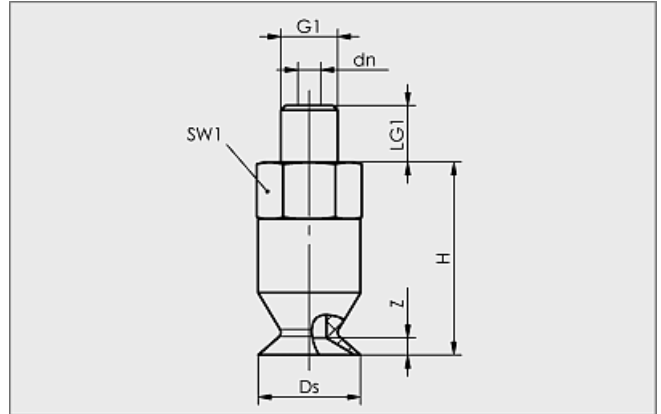


## Flat suction pads SGAN

### Design data Flat suction pads SGAN



SGAN 7 to 16 IG

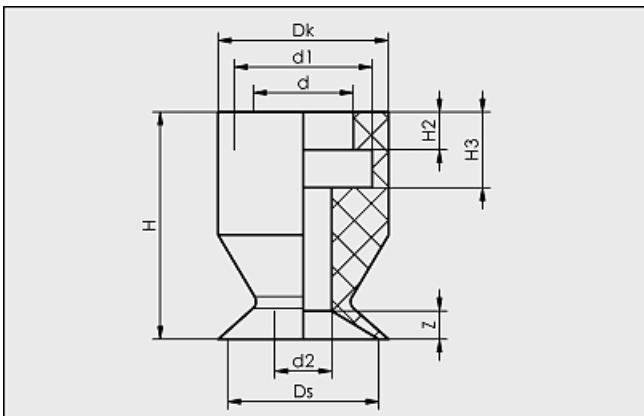


SGAN 7 to 16 AG

Type	Dimensions in mm*						
	dn	Ds	G1	H	LG1	SW1	Z
SGAN 7 M5-AG	2,0	7	M5-M	17	5,0	8	1,0
SGAN 7 M5-IG	2,0	7	M5-F	22	5,5	8	1,0
SGAN 9 M5-AG	2,0	8	M5-M	17	5,0	8	1,5
SGAN 9 M5-IG	2,0	8	M5-F	22	5,5	8	1,5
SGAN 13 G1/8-AG	3,5	12	G1/8"-M	17	8,0	14	2,0
SGAN 13 G1/8-IG	3,5	12	G1/8"-F	25	8,0	14	2,0
SGAN 16 G1/8-AG	3,5	15	G1/8"-M	17	8,0	14	2,0
SGAN 16 G1/8-IG	3,5	15	G1/8"-F	25	8,0	14	2,0

\*Acceptable dimensional tolerances for rubber parts concerning to M3 - DIN 7715

### Design data Flat suction pads SGA



SGA 7 to 16

Type	Dimensions in mm*								
	d	d1	d2	Dk	Ds	H	H2	H3	Z
SGA 7	5	7	3	9	7	12,0	2,0	4,0	1,0
SGA 9	5	7	3	9	8	12,0	2,0	4,0	1,5
SGA 13	9	12	3	15	12	11,5	1,8	3,6	2,0
SGA 16	9	12	3	16	15	12,0	2,0	4,0	2,0

\*Acceptable dimensional tolerances for rubber parts concerning to M3 - DIN 7715