

# Flat suction pads (round)

## Flat suction pads PFYN VU1



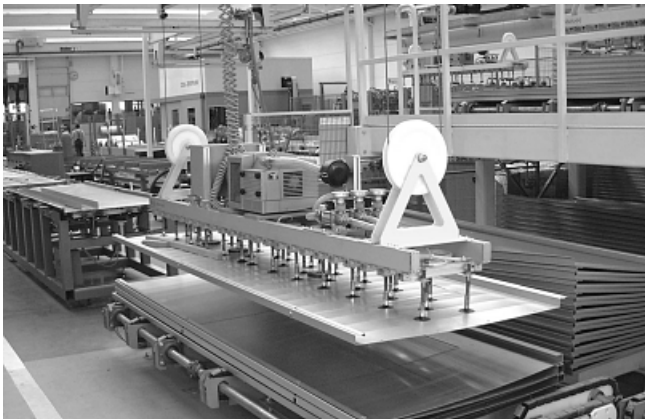
Flat suction pads PFYN VU1

### Our highlights...

- Special pad material Vulkollan VU1; very resistant to tearing
- Good resistance to chemicals
- Very low wear: about 10- 12 mm<sup>3</sup> to DIN 53516
- Supports on the bottom
- Temperature resistance: -40 °C to +80 °C, short-term resistance up to +100 °C

### Your advantages...

- >Extremely hard-wearing suction pad for very high loads and a long lifetime
- >Unaffected by oil (handling of sheet metal))
- >Up to lifetime 20 times compared with standard NBR
- >No permanent deformation of thin-walled workpieces
- >Also suitable for use at very low and high temperatures



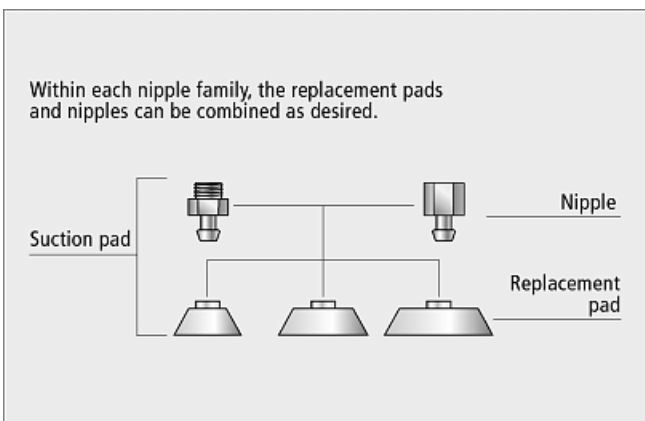
System with wear-resistant suction pads PFYN-VU1 for handling large sheet-metal parts

### Applications

- Demanding applications in multi-shift operation with very short cycle times
- Handling of oily metal sheets (automobile production), cardboard, sheets of wood and similar workpieces
- Handling of extremely abrasive workpieces such as rough cardboard sheets

### Construction

- Robust, hard-wearing suction pad PFYN with single sealing lip, consisting of suction pad PFG, made of Vulkollan VU1, and connection nipple
- Suction pad with positive connection to nipple which withstands even very high loading
- Suction pads are delivered assembled



Modular suction-pad system



### Suitability for branch-specific applications

# Flat suction pads (round)

## Flat suction pads PFYN VU1



### Designation code Flat suction pads PFYN VU1

Short designation	Diameter in mm	Material and shore hardness	Connection thread
Example: PFYN	30	VU1-72	G1/8-AG
PFYN...with connection nipple PFG...without connection nipple	15 to 95	VU1-72	G1/8-AG (AG = male) G1/8-IG (IG = female) G1/4-AG G1/4-IG

### Ordering data Flat suction pads PFYN VU1

Type	Connection			
	G1/4" (male)	G1/4" (female)	G1/8" (male)	G1/8" (female)
PFYN 15 VU1	-	-	10.01.01.00556	10.01.01.00557
PFYN 30 VU1	-	-	10.01.01.00550	10.01.01.00558
PFYN 50 VU1	10.01.01.00521	10.01.01.00547	-	-
PFYN 60 VU1	10.01.01.00608	10.01.01.00609	-	-
PFYN 80 VU1	10.01.01.00522	10.01.01.00524	-	-
PFYN 95 VU1	10.01.01.00523	10.01.01.00525	-	-

### Ordering data spare parts suction pads and suction pad nipples

Type	Flat suction pad (round)		Type	Suction-pad connection nipple	
PFYN 15 VU1	PFG 15 VU1-72 N005	10.01.01.00555	PFYN 15 VU1 G1/8-AG	SA-NIP N005 G1/8-AG DN200	10.01.01.03529
PFYN 30 VU1	PFG 30 VU1-72 N007	10.01.01.00549	PFYN 15 VU1 G1/8-IG	SA-NIP N005 G1/8-IG DN200	10.01.01.03521
PFYN 50 VU1	PFG 50 VU1-72 N011	10.01.01.00424	PFYN 30 VU1 G1/8-AG	SA-NIP N007 G1/8-AG DN240	10.01.01.03531
PFYN 60 VU1	PFG 60 VU1-72 N011	10.01.01.00606	PFYN 30 VU1 G1/8-IG	SA-NIP N007 G1/8-IG DN350	10.01.01.03523
PFYN 80 VU1	PFG 80 VU1-72 N012	10.01.01.00426	PFYN 50 VU1 G1/4-AG	SA-NIP N011 G1/4-AG DN350	10.01.01.10663
PFYN 95 VU1	PFG 95 VU1-72 N012	10.01.01.00430	PFYN 50 VU1 G1/4-IG	SA-NIP N011 G1/4-IG DN350	10.01.01.00412
			PFYN 60 VU1 G1/4-AG	SA-NIP N011 G1/4-AG DN350	10.01.01.10663
			PFYN 60 VU1 G1/4-IG	SA-NIP N011 G1/4-IG DN350	10.01.01.00412
			PFYN 80 VU1 G1/4-AG	SA-NIP N012 G1/4-AG DN500	10.01.01.10664
			PFYN 80 VU1 G1/4-IG	SA-NIP N012 G1/4-IG DN600	10.01.01.00528
			PFYN 95 VU1 G1/4-AG	SA-NIP N012 G1/4-AG DN500	10.01.01.10664
			PFYN 95 VU1 G1/4-IG	SA-NIP N012 G1/4-IG DN600	10.01.01.00528

### Technical data Flat suction pads PFYN VU1

Type	Suction force [N]*	Volume [cm <sup>3</sup> ]	Min. curve radius [mm] (convex)	Recom. internal hose diameter d [mm]	Nipple family
PFYN 15 VU1	8,5	0,5	13	4	N 005
PFYN 30 VU1	32,0	1,7	30	4	N 007
PFYN 50 VU1	95,0	6,0	75	6	N 011
PFYN 60 VU1	130,0	15,0	75	6	N 011
PFYN 80 VU1	260,0	30,0	100	6	N 012
PFYN 95 VU1	350,0	42,0	140	6	N 012

\*The specified suction forces are theoretical values at a vacuum of -0.6 bar and with a smooth, dry workpiece surface - they do not include a safety factor

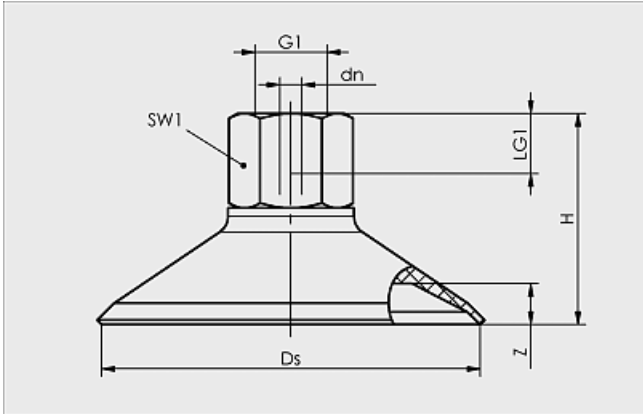
# Flat suction pads (round)

Flat suction pads PFYN VU1

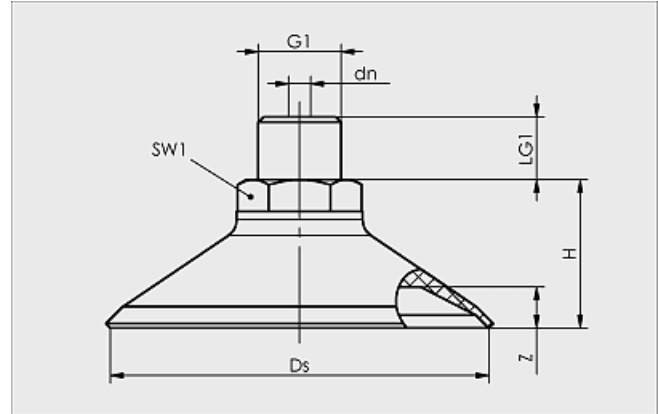


Vacuum suction pads  
2

## Design data Flat suction pads PFYN VU1



PFYN 15 to 95 VU1 IG



PFYN 15 to 95 VU1 AG

Type	Dimensions in mm*						
	dn	Ds	G1	H	LG1	SW1	Z
PFYN 15 VU1 G1/8-AG	2,0	14,5	G1/8"-M	14,5	8	14	1,5
PFYN 15 VU1 G1/8-IG	2,0	14,5	G1/8"-F	25,5	9	14	1,5
PFYN 30 VU1 G1/8-AG	2,0	30,0	G1/8"-M	18,0	8	14	3,0
PFYN 30 VU1 G1/8-IG	2,0	30,0	G1/8"-F	29,0	9	14	3,0
PFYN 50 VU1 G1/4-AG	3,5	50,0	G1/4"-M	22,0	10	17	4,5
PFYN 50 VU1 G1/4-IG	3,5	50,0	G1/4"-F	32,0	12	17	4,5
PFYN 60 VU1 G1/4-AG	3,5	60,0	G1/4"-M	23,5	10	17	6,0
PFYN 60 VU1 G1/4-IG	3,5	60,0	G1/4"-F	33,5	12	17	6,0
PFYN 80 VU1 G1/4-AG	6,0	80,0	G1/4"-M	30,0	10	22	6,0
PFYN 80 VU1 G1/4-IG	6,0	80,0	G1/4"-F	40,0	12	22	6,0
PFYN 95 VU1 G1/4-AG	6,0	95,0	G1/4"-M	30,0	10	22	6,0
PFYN 95 VU1 G1/4-IG	6,0	95,0	G1/4"-F	40,0	12	22	6,0

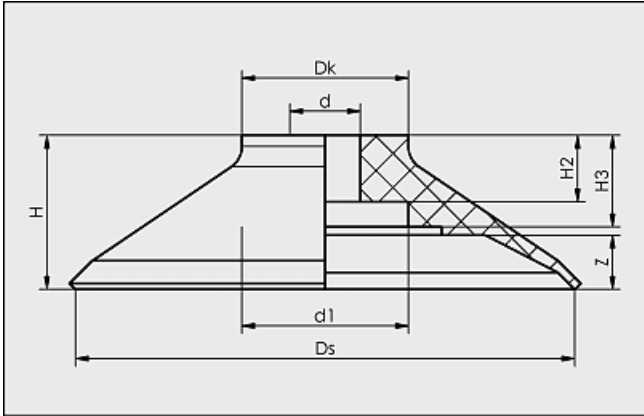
\*Acceptable dimensional tolerances for rubber parts concerning to M3 - DIN 7715

# Flat suction pads (round)

Flat suction pads PFYN VU1



## Design data Flat suction pads PFG VU1



PFG VU1

Type	Dimensions in mm*							
	d	d1	Dk	Ds	H	H2	H3	Z
PFG 15 VU1	4,5	8,5	11,5	14,5	9,5	2,5	4,5	1,5
PFG 30 VU1	6,0	11,0	16,0	30,0	13,0	7,0	7,0	3,0
PFG 50 VU1	8,0	13,0	18,0	50,0	17,0	8,0	11,0	4,5
PFG 60 VU1	8,0	20,0	20,0	60,0	18,5	8,0	11,0	6,0
PFG 80 VU1	12,0	25,0	25,0	80,0	25,0	12,0	17,5	6,0
PFG 95 VU1	12,0	25,0	31,0	95,0	25,0	12,0	16,5	6,0

\*Acceptable dimensional tolerances for rubber parts concerning to M3 - DIN 7715