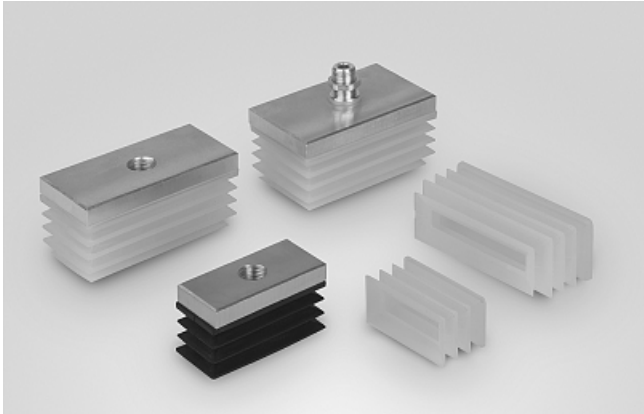


Suction pads for packaging

Bellows suction pads FSGB-R (rectangular)



Bellows suction pad FSGB-R (rectangular)



Bellows suction pad FSGB-R for handling of easily damaged packing materials



Bellows suction pad FSGB-R for handling of film-packed products

Our highlights...

- Large rectangular suction surface
- Very soft and flexible corrugations
- Soft and adaptable sealing lip
- Optional supporting frames available for mounting in the corrugations

Your advantages...

- >Very good gripping of rectangular workpieces
- >Very good adaptability to non-uniform surfaces and non-rigid workpieces
- >Optimised sealing on structured surfaces and workpieces with folds
- >Improved stability of the suction pad in the corrugations

Applications

- Handling of rectangular packing materials with non-uniform surfaces
- Handling tasks in the packaging industry such as handling of film-packed products, filled plastic bags; workpieces with folds
- Handling of non-rigid workpieces and flexible outer packing materials which can be deformed during handling
- Depending on the application, the desired number of supporting frames can be inserted
- We recommend testing with original workpieces before use, particularly if supporting frames are used

Construction

- Rectangular bellows suction pad FSGB-R with single sealing lip, consisting of suction pad FGB-R and connection plates
- FSGB-R 52x25 and FSGB-R 60x29 with 2.5 corrugations; FSGB-R 80x30, FSGB-R80x40 and FSGB-R 80x50 with 3.5 corrugations
- Very adaptable geometry and soft, flexible sealing lip
- The suction pad is securely clamped between connection plates. Screw connection of the pad side to permit simple, in-situ replacement of pad
- Supporting frames (available as accessories) can optionally be mounted in one or more of the corrugations

Suction pads for packaging

Bellows suction pads FSGB-R (rectangular)



Suitability for branch-specific applications

Designation code Bellows suction pads FSGB-R (rectangular)

Short designation	Length x width in mm	Material and shore hardness	Connection thread
Example: FSGB-R	52x25	NK-50	G1/4-AG
FSGB-R...with connection nipple	52x25 to 80x50	NK-50	G1/4-AG (AG = male)
FGB-R...without connection nipple		SI-50	G1/8-IG (IG = female)

Ordering data Bellows suction pads FSGB-R (rectangular)

Type	Suction pad material * / hardness in Shore A	
	Natural Rubber NK 50±5ShA	Silicone SI 50±5ShA
FSGB-R 52x25 G1/4-AG**	10.01.06.02281	10.01.06.02282
FSGB-R 52x25 G1/8-IG**	10.01.06.02287	10.01.06.02288
FSGB-R 60x29 G1/4-AG**	10.01.06.02283	-
FSGB-R 60x29 G1/8-IG**	10.01.06.02289	-
FSGB-R 80x30 G1/4-AG***	-	10.01.06.02284
FSGB-R 80x30 G1/8-IG***	-	10.01.06.02290
FSGB-R 80x40 G1/4-AG***	-	10.01.06.02285
FSGB-R 80x40 G1/8-IG***	-	10.01.06.02291
FSGB-R 80x50 G1/4-AG***	-	10.01.06.02286
FSGB-R 80x50 G1/8-IG***	-	10.01.06.02292

*See Section 2, "Basic Principles of Suction-Pad Materials" for further details of materials

**2.5 folds

***3.5 folds

Ordering data spare parts suction pads

Type	Suction pad material * / hardness in Shore A	
	Natural Rubber NK 50±5ShA	Silicone SI 50±5ShA
FGB-R 52x25**	10.01.06.01115	10.01.06.01116
FGB-R 60x29**	10.01.06.01117	-
FGB-R 80x30***	-	10.01.06.01112
FGB-R 80x40***	-	10.01.06.01113
FGB-R 80x50***	-	10.01.06.01114

*See Section 2, "Basic Principles of Suction-Pad Materials" for further details of materials

**2.5 folds

***3.5 folds

Ordering data accessories Bellows suction pads FSGB-R (rectangular)

Type	Supporting frame
FSGB-R 52x25	10.01.06.02276
FSGB-R 60x29	10.01.06.02277
FSGB-R 52x25	10.01.06.02278
FSGB-R 80x40	10.01.06.02279
FSGB-R 80x50	10.01.06.02280

Suction pads for packaging

Bellows suction pads FSGB-R (rectangular)

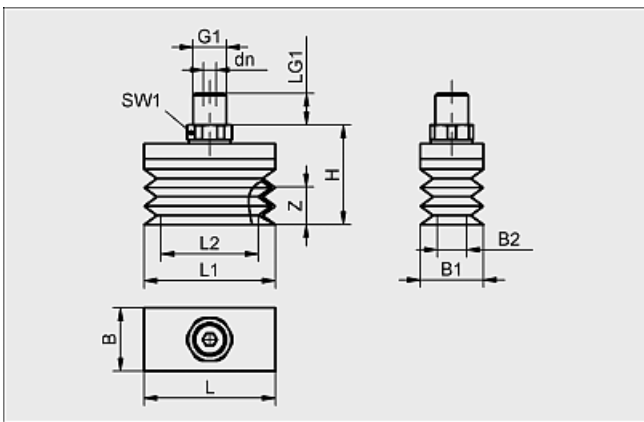


Technical data Bellows suction pads FSGB-R (rectangular)

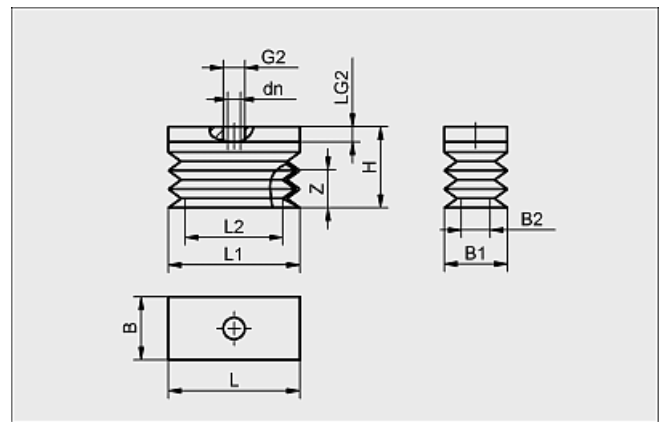
Type	Suction force [N]*	Volume [cm ³]	Number of folds	Recom. internal hose diameter d [mm]
FSGB-R 52x25	20	16	2,5	6
FSGB-R 60x29	36	22	2,5	6
FSGB-R 52x25	29	41	3,5	6
FSGB-R 80x40	61	61	3,5	9
FSGB-R 80x50	92	80	3,5	9

*The specified suction forces are theoretical values at a vacuum of -0.6 bar and with a smooth, dry workpiece surface - they do not include a safety factor

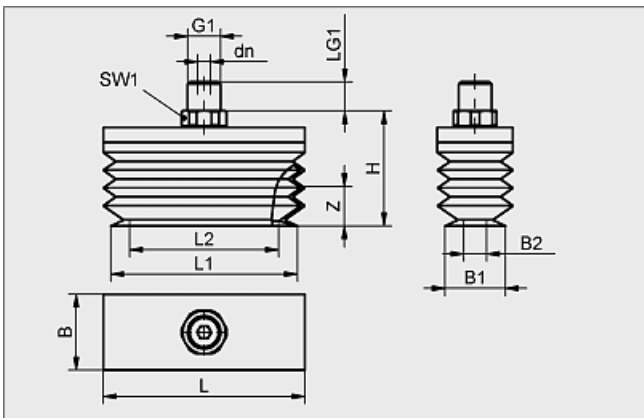
Design data Bellows suction pads FSGB-R (rectangular)



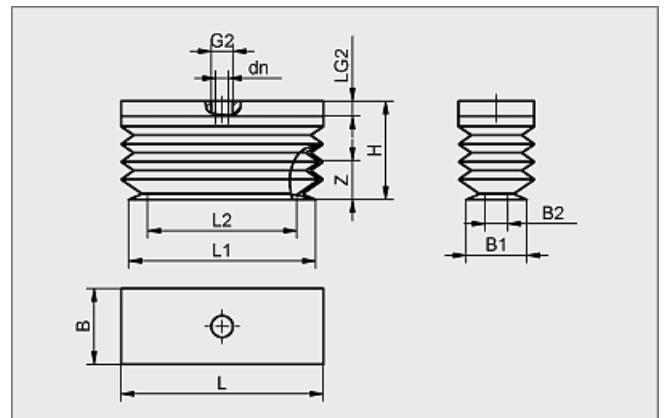
FSGB-R 52x25 to 60x29 AG



FSGB-R 52x25 to 60x29 IG



FSGB-R 80x30 to 80x50 AG



FSGB-R 80x30 to 50x50 IG

Suction pads for packaging

Bellows suction pads FSGB-R (rectangular)



Vacuum suction pads
2

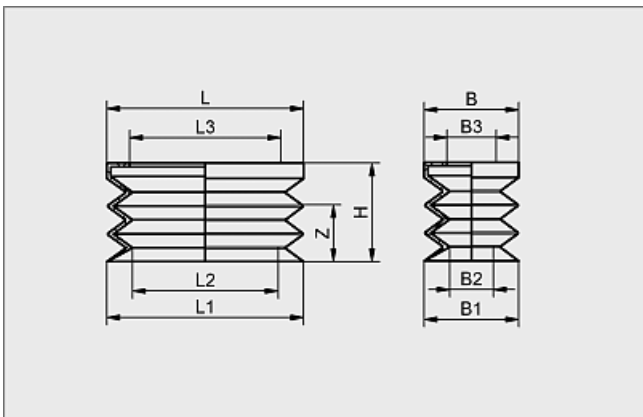
Design data Bellows suction pads FSGB-R (rectangular)

Type	Dimensions in mm*													
	B	B1	B2	dn	G1	G2	H	L	L1	L2	LG1	LG2	SW1	Z (Stroke)**
FSGB-R 52x25 G1/4-AG	25	25	10	5	G1/4"-M	-	39,5	52	52	37	10,5	-	17	15
FSGB-R 52x25 G1/8-IG	25	25	10	5	-	G1/8"-F	32,0	52	52	37	-	6,0	-	15
FSGB-R 60x29 G1/4-AG	29	29	15	5	G1/4"-M	-	39,5	60	60	45	10,5	-	17	14
FSGB-R 60x29 G1/8-IG	29	29	15	5	-	G1/8"-F	32,0	60	60	45	-	6,0	-	14
FSGB-R 80x30 G1/4-AG	30	24	9	5	G1/4"-M	-	46,5	80	74	59	10,5	-	17	16
FSGB-R 80x30 G1/8-IG	30	24	9	5	-	G1/8"-F	39,0	80	74	59	-	6,0	-	16
FSGB-R 80x40 G1/4-AG	40	34	19	5	G1/4"-M	-	46,5	80	74	59	10,5	-	17	13
FSGB-R 80x40 G1/8-IG	40	34	19	5	-	G1/8"-F	39,0	80	74	59	-	6,0	-	13
FSGB-R 80x50 G1/4-AG	50	44	29	5	G1/4"-M	-	46,5	80	74	59	10,5	-	17	13
FSGB-R 80x50 G1/8-IG	50	44	29	5	-	G1/8"-F	39,0	80	74	59	-	6,0	-	13

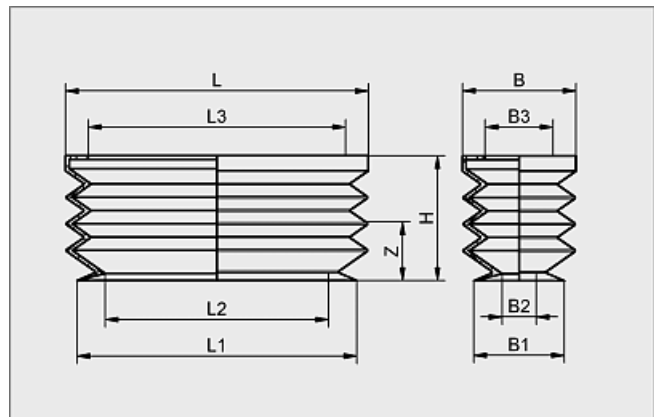
*Acceptable dimensional tolerances for rubber parts concerning to M3 - DIN 7715

**The specified stroke is for use with a supporting frame in each fold.

Design data Bellows suction pads FGB-R (rectangular)



FGB-R 52x25 to 60x29



FGB-R 80x30 to 80x50

Type	Dimensions in mm*						
	B	H	L	L1	L2	L3	Z (Stroke)**
FGB-R 52x25	25	26	52	52	37	40	15
FGB-R 60x29	29	26	60	60	45	48	14
FGB-R 80x30	30	33	80	74	59	68	16
FGB-R 80x40	40	33	80	74	59	68	13
FGB-R 80x50	50	33	80	74	59	68	13

*Acceptable dimensional tolerances for rubber parts concerning to M3 - DIN 7715

**The specified stroke is for use with a supporting frame in each fold.