

Sealing profiles

Sealing profiles DI-MOS



Sealing sections DI-MOS

Our highlights...

- Profiled sealing cord in any desired length
- Wide range of diameters and sections

Your advantages...

- > Self-construction of "vacuum grippers" in any desired shape and size to match special workpieces
- > Suitable for a wide range of workpiece sizes and shapes

Applications

- Production of special, self-made suction plates
- Adaptation of suction plates to the dimensions of special workpieces
- Special vacuum grippers for unloading stationary CNC machines for processing of sheets of wood in the manufacturing of furniture and kitchen cabinets
- Handling of chipboard and MDF panels with cut-outs

Construction

- Hard-wearing sealing profile made of foam rubber MOS in various diameters and cross-sections



Suitability for branch-specific applications

Designation code Sealing profiles DI-MOS

Short designation	Dimensions in mm	Material and shore hardness*	Additional function
Example: DI-MOS	6	1K-MOS-20	SL
DI-MOS	6 to 12 10 x 6 to 25 x 20	1K-MOS-20	SL...with slot HR...half-round DL...sealing lip

*Average shore hardness

Sealing profiles

Sealing profiles DI-MOS



Ordering data Sealing profiles DI-MOS

Type	Article No.*
DI-MOS 6 1K-MOS-20	10.07.04.00001
DI-MOS 8 1K-MOS-20	10.07.04.00002
DI-MOS 8 1K-MOS-20 SL	10.07.04.00005
DI-MOS 10 1K-MOS-20	10.07.04.00003
DI-MOS 12 1K-MOS-20	10.07.04.00004
DI-MOS 10x6 1K-MOS-20	10.07.04.00006
DI-MOS 25x20 1K-MOS-20	10.07.04.00007
DI-MOS 10x20 1K-MOS-20 HR	10.07.04.00010
DI-MOS 12x17 1K-MOS-20 HR	10.07.04.00011
DI-MOS 6x8 1K-MOS-20 HR	10.07.04.00014
DI-MOS 8x14 1K-MOS-20 DL	10.07.04.00012
DI-MOS 11x23 1K-MOS-20 DL	10.07.04.00015

*Accounting unit [1 m]

Technical data Sealing profiles DI-MOS

Type	Operating temperature [°C]
DI-MOS 6 1K-MOS-20	-40...100
DI-MOS 8 1K-MOS-20	-40...100
DI-MOS 8 1K-MOS-20 SL	-40...100
DI-MOS 10 1K-MOS-20	-40...100
DI-MOS 12 1K-MOS-20	-40...100
DI-MOS 10x6 1K-MOS-20	-40...100
DI-MOS 25x20 1K-MOS-20	-40...100
DI-MOS 10x20 1K-MOS-20 HR	-40...100
DI-MOS 12x17 1K-MOS-20 HR	-40...100
DI-MOS 6x8 1K-MOS-20 HR	-35...70
DI-MOS 8x14 1K-MOS-20 DL	-40...70
DI-MOS 11x23 1K-MOS-20 DL	-35...110

*Acceptable dimensional tolerances for rubber parts concerning to M3 - DIN 7715

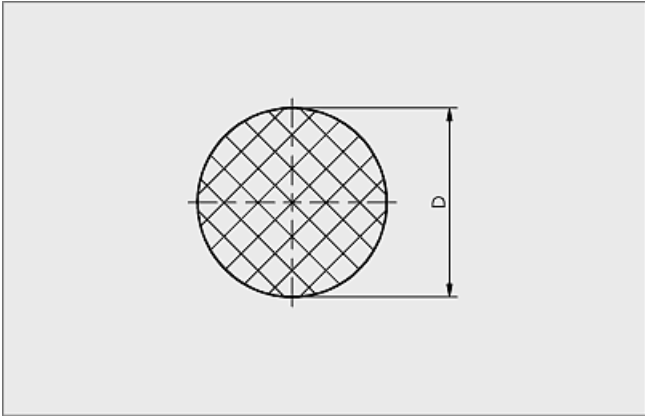
Sealing profiles

Sealing profiles DI-MOS

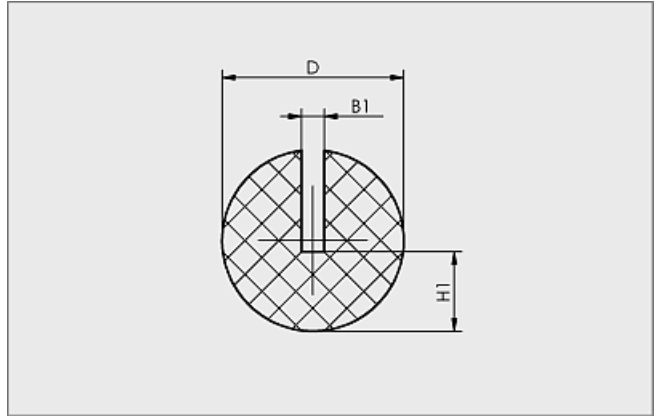


Vacuum
suction pads
2

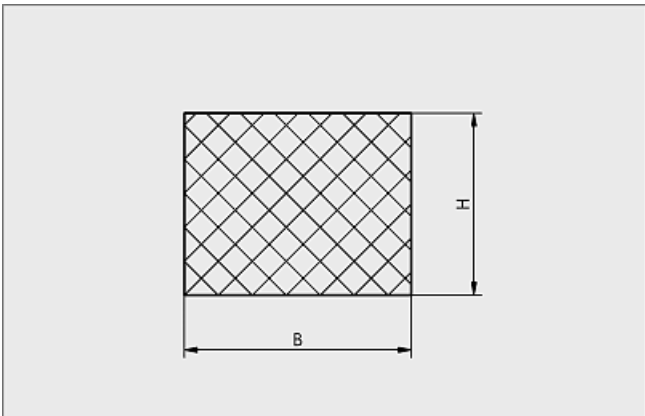
Design data Sealing profiles DI-MOS



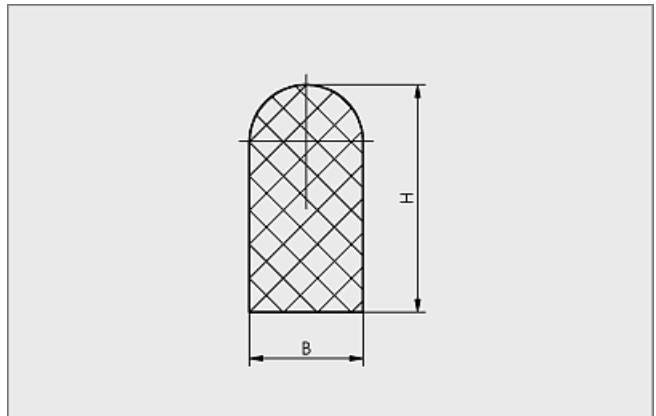
DI-MOS 6 to 12



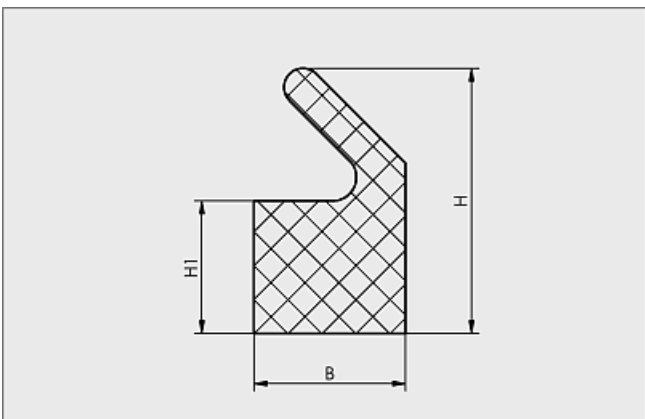
DI-MOS 8 SL



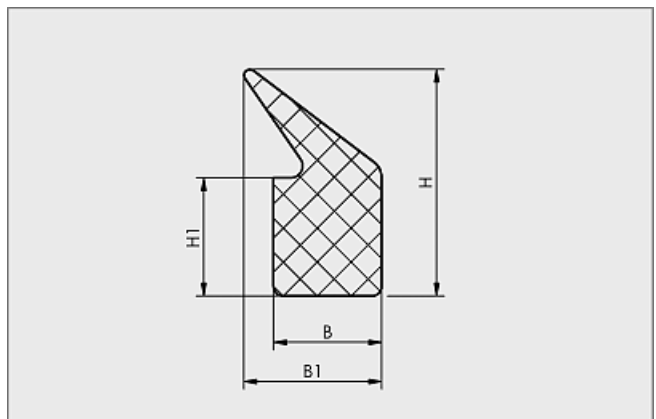
DI-MOS 10x6 and DI-MOS 25x20



DI-MOS 10x20 HR, DI-MOS 12x17 HR, DI-MOS 6x8 HR



DI-MOS 8 x 14 DL



DI-MOS 11 x 23 DL

Sealing profiles

Sealing profiles DI-MOS



Design data Sealing profiles DI-MOS

Type	Dimensions in mm*					Recommended slot depth x slot width
	B	B1	D	H	H1	
DI-MOS 6 1K-MOS-20	-	-	6	-	-	6,0 x 4.2 + 0.3 mm
DI-MOS 8 1K-MOS-20	-	-	8	-	-	8,0 x 5.6 + 0.3 mm
DI-MOS 8 1K-MOS-20 SL	-	1	8	-	3,5	-
DI-MOS 10 1K-MOS-20	-	-	10	-	-	10,0 x 7 + 0.3 mm
DI-MOS 12 1K-MOS-20	-	-	12	-	-	12,0 x 8.4 + 0.3 mm
DI-MOS 10x6 1K-MOS-20	10	-	-	6	-	11,0 x 4.2 + 0.3 mm
DI-MOS 25x20 1K-MOS-20	25	-	-	20	-	26,0 x 10 + 0.3 mm
DI-MOS 10x20 1K-MOS-20 HR	10	-	-	20	-	11,0 x 10 + 0.3 mm
DI-MOS 12x17 1K-MOS-20 HR	12	-	-	17	-	13,0 x 9.5 + 0.3 mm
DI-MOS 6x8 1K-MOS-20 HR	6	-	-	8	-	7,0 x 5.5 mm
DI-MOS 8x14 1K-MOS-20 DL	8	-	-	14	7,0	9,0 x 7.5 mm
DI-MOS 11x23 1K-MOS-20 DL	11	14	-	23	12,0	12,0 x 11.5 mm

*Acceptable dimensional tolerances for rubber parts concerning to M3 - DIN 7715